

A

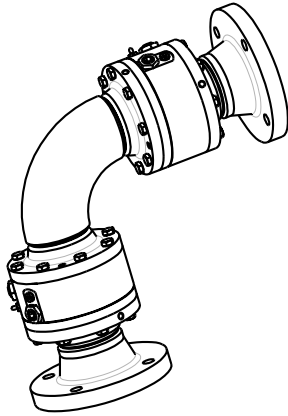
B

C

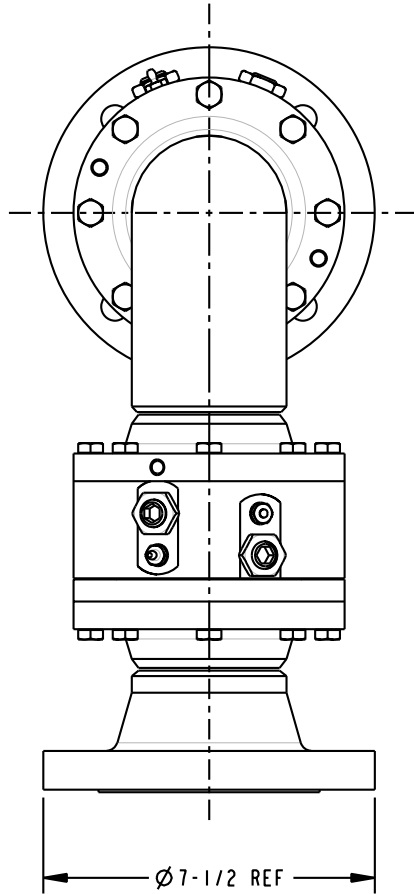
D

THIS DRAWING IS NOT TO BE SCALED. FOR ADDITIONAL INFORMATION. PLEASE CONTACT OUR ENGINEERING DEPT.

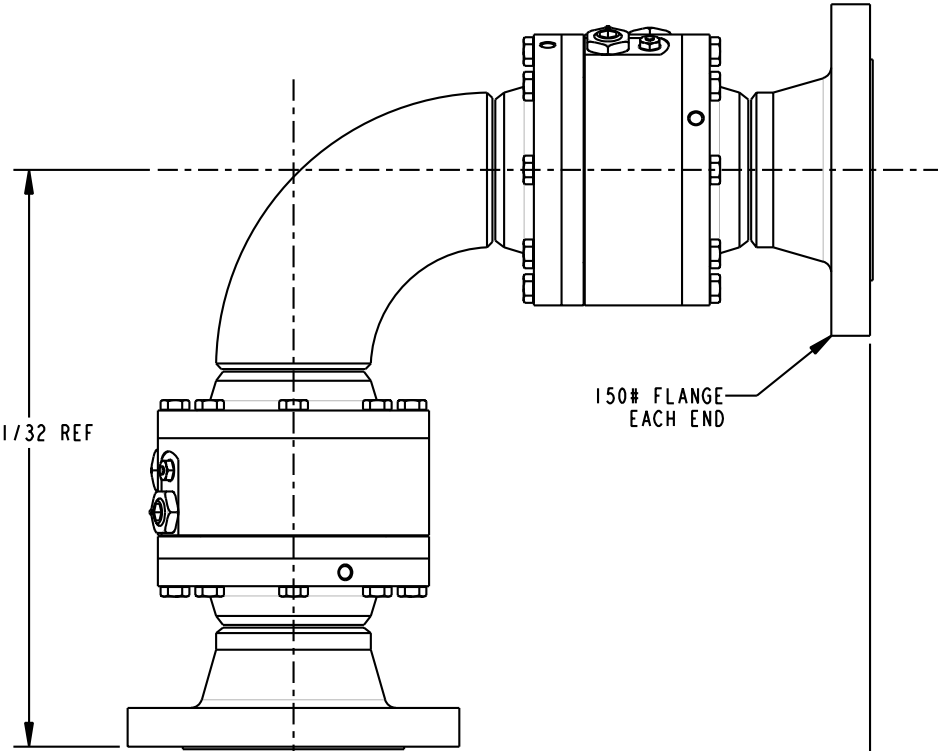
REVISIONS					
LTR	ECN #	DESCRIPTION	DRAWN	APPROVED	DATE
REL	41360	INITIAL RELEASE	SCK	NAC	10/13/03



SCALE 0.150



13-1/32 REF



150# FLANGE EACH END

13-1/32 REF

NOTES:

1. AIR TEST @ 5 psi & 70 psi, OR HYDROSTATIC TEST PER CUSTOMER SPECIFICATION.
2. MAXIMUM PRESSURE 500 psi.

CONFIDENTIAL THIS DOCUMENT CONTAINS INFORMATION WHICH IS PROPRIETARY TO OPW, AND SHOULD BE PROTECTED ACCORDINGLY.

DESCRIPTION:

SWIVEL, 3" DSF STYLE 60F

UNLESS OTHERWISE SPECIFIED

TOLERANCES ON DIMENSIONS
 3 DECIMALS +/- 0.005
 2 DECIMALS +/- 0.015
 1 DECIMAL +/- 0.030
 ANGLES +/- 1/2 DEG
 MACHINED SURFACES 125 RMS MAX

SIGNATURES

MO-DA-YR

REVISIONS

CHECKED: NAC 10/13/03

MATERIAL: WEIGHT: 76.5 lbs.

REV: REL

SIZE: C

PART NUMBER:

08X60F-03XX

SCALE: 0.350

SHEET 1 OF 1

OPW Engineered Systems
 A DOVER Resources Company
 Lebanon, Ohio 45036 USA

3D GENERATED DRAWING

A

B

C

D