

A

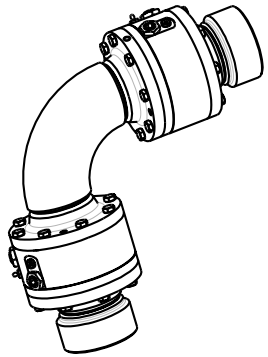
B

C

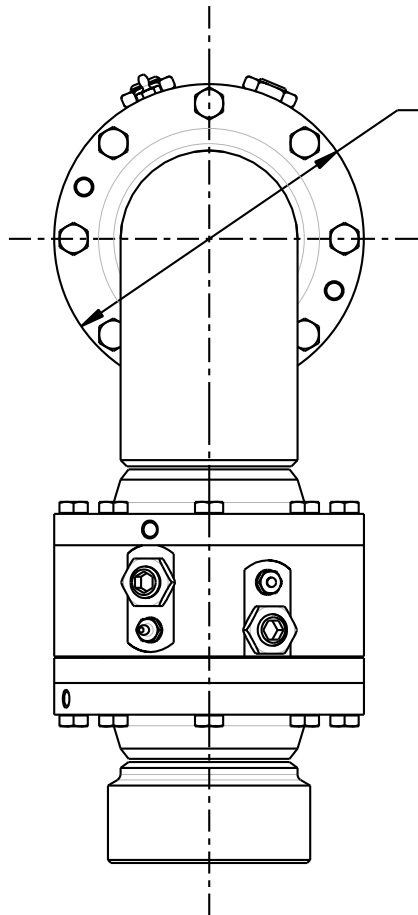
D

THIS DRAWING IS NOT TO BE SCALED. FOR ADDITIONAL INFORMATION. PLEASE CONTACT OUR ENGINEERING DEPT.

| REVISIONS | | | | | |
|-----------|-------|-----------------|-------|----------|----------|
| LTR | ECN # | DESCRIPTION | DRAWN | APPROVED | DATE |
| REL | 41360 | INITIAL RELEASE | SCK | NAC | 10/13/03 |

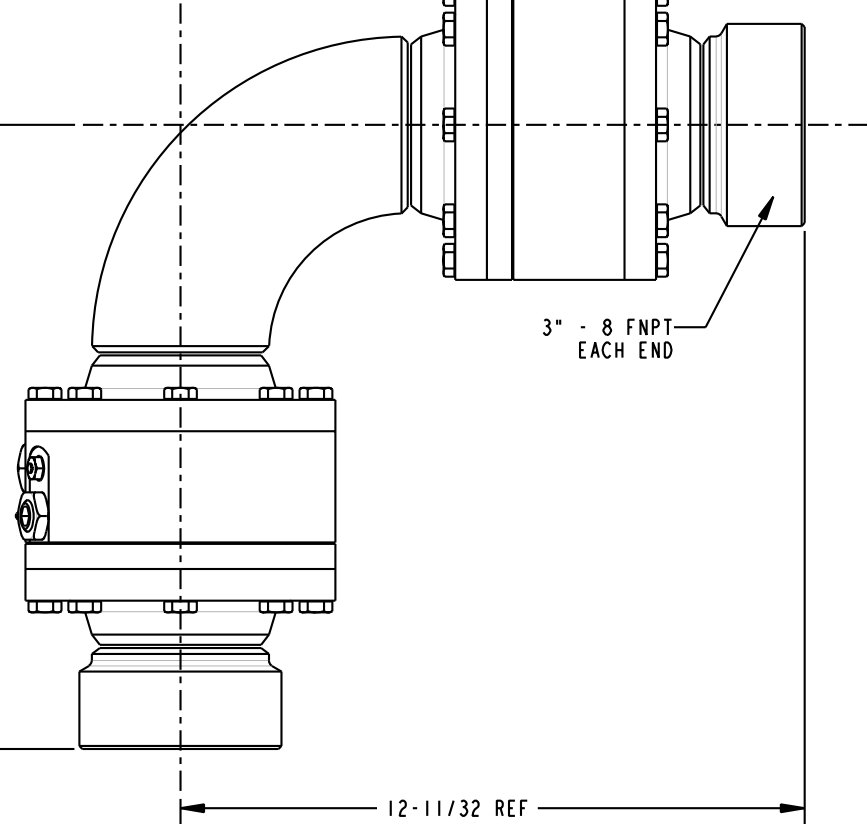


SCALE 0.150



Ø6-1/8 REF

12-11/32 REF



3" - 8 FNPT EACH END

12-11/32 REF

NOTES:

1. AIR TEST @ 5 psi & 70 psi, OR HYDROSTATIC TEST PER CUSTOMER SPECIFICATION.
2. MAXIMUM PRESSURE 500 psi.

| | | | | | |
|--|--|-----------------|--------------------------------------|----------|----------|
| CONFIDENTIAL THIS DOCUMENT CONTAINS INFORMATION WHICH IS PROPRIETARY TO OPW, AND SHOULD BE PROTECTED ACCORDINGLY. | | | DESCRIPTION: SWIVEL, 3" DSF STYLE 60 | | |
| UNLESS OTHERWISE SPECIFIED TOLERANCES ON DIMENSIONS 3 DECIMALS +/- 0.005 2 DECIMALS +/- 0.015 1 DECIMAL +/- 0.030 ANGLES +/- 1/2 DEG MACHINED SURFACES 125 RMS MAX | | | SIGNATURES | | MO-DA-YR |
| DRAWN: SCK | | CHECKED: NAC | | REV: REL | 09/26/03 |
| MATERIAL: | | WEIGHT: 59 lbs. | | SIZE: C | 10/13/03 |
| PART NUMBER: 08X60-03XX | | | SCALE: 0.400 | | |
| SHEET 1 OF 1 | | | 3D GENERATED DRAWING | | |

A

B

C

D

1

1

2

2

3

3

4

4