

A

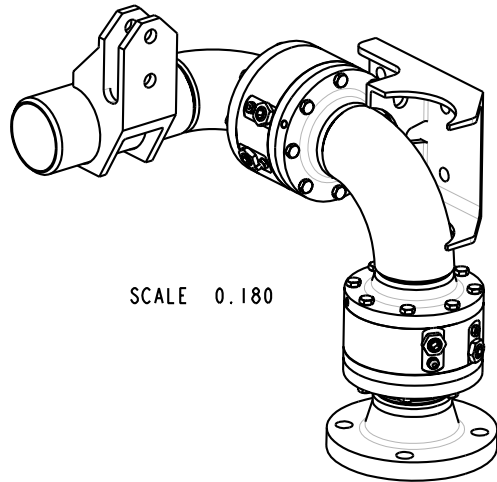
B

C

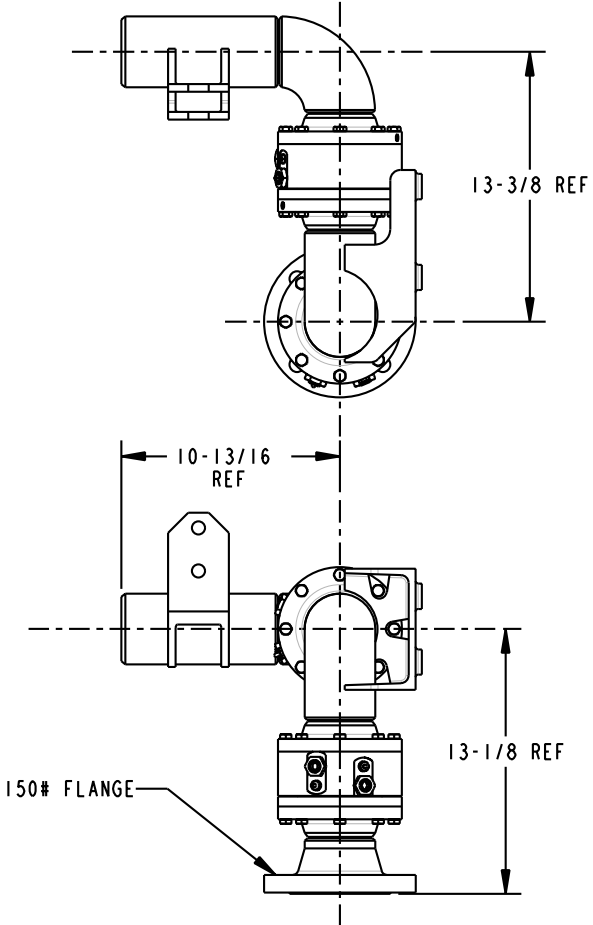
D

THIS DRAWING IS NOT TO BE SCALED. FOR ADDITIONAL INFORMATION. PLEASE CONTACT OUR ENGINEERING DEPT.

REVISIONS					
LTR	ECN #	DESCRIPTION	DRAWN	APPROVED	DATE
-	-	-	-	-	-



SCALE 0.180



13-3/8 REF

10-13/16 REF

13-1/8 REF

150# FLANGE

**CONFIDENTIAL** THIS DOCUMENT CONTAINS INFORMATION WHICH IS PROPRIETARY TO OPW, AND SHOULD BE PROTECTED ACCORDINGLY.

DESCRIPTION: 3" SWIVEL, DSF, CST, UFRH

UNLESS OTHERWISE SPECIFIED  
 TOLERANCES ON DIMENSIONS  
 3 DECIMALS +/- 0.005  
 2 DECIMALS +/- 0.015  
 1 DECIMAL +/- 0.030  
 ANGLES +/- 1/2 DEG  
 MACHINED SURFACES 125 RMS MAX

SIGNATURES		MO-DA-YR	REV:
DRAWN:	SCK	01/04/06	-
CHECKED:	-	-	-
MATERIAL:	CST	WEIGHT:	-

SIZE:	C
PART NUMBER:	8458FW-03XX
SCALE:	0.160
SHEET	1 OF 1

**OPW Engineered Systems**  
 A **DOVER** Resources Company  
 Lebanon, Ohio 45036 USA  
 3D GENERATED DRAWING

A

B

C

D