

A

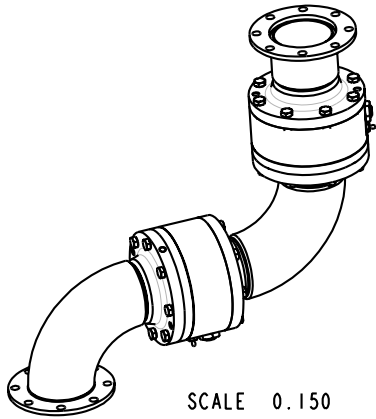
B

C

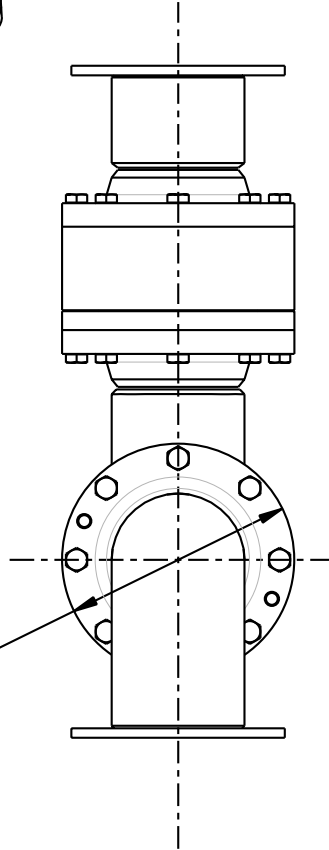
D

THIS DRAWING IS NOT TO BE SCALED. FOR ADDITIONAL INFORMATION, PLEASE CONTACT OUR ENGINEERING DEPT.

REVISIONS					
LTR	ECN #	DESCRIPTION	DRAWN	APPROVED	DATE
REL	41360	INITIAL RELEASE	SCK	NAC	10/13/03



SCALE 0.150



$\varnothing 6-1/8$ REF

17-23/32 REF

4-11/16 REF

14-27/32 REF

TTMA FLANGE
EACH END

NOTES:

- AIR TEST @ 5 psi & 70 psi, OR HYDROSTATIC TEST PER CUSTOMER SPECIFICATION.
- MAXIMUM PRESSURE 500 psi.

CONFIDENTIAL THIS DOCUMENT CONTAINS INFORMATION WHICH IS PROPRIETARY TO OPW, AND SHOULD BE PROTECTED ACCORDINGLY.

DESCRIPTION:

SWIVEL, 3" DSF STYLE 50FT

UNLESS OTHERWISE SPECIFIED

TOLERANCES ON DIMENSIONS

3 DECIMALS +/- 0.005

2 DECIMALS +/- 0.015

1 DECIMAL +/- 0.030

ANGLES +/- 1/2 DEG

MACHINED SURFACES 125 RMS MAX

SIGNATURES

DRAWN: SCK

CHECKED: NAC

MATERIAL:

MO-DA-YR

09/26/03

10/13/03

WEIGHT: 62.5 lbs.

REV: REL

SIZE: C

PART NUMBER:

08X50FT-03XX

SCALE: 0.300

SHEET 1 OF 1

OPW Engineered Systems

A DOVER Resources Company
Lebanon, Ohio 45036 USA

3D GENERATED DRAWING

A

B

C

D