

A

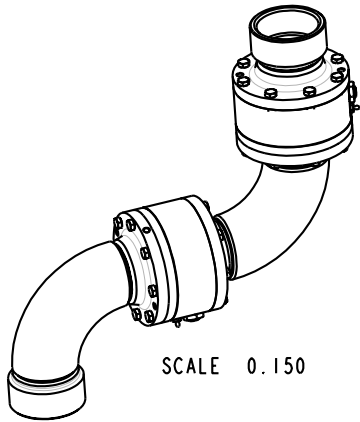
B

C

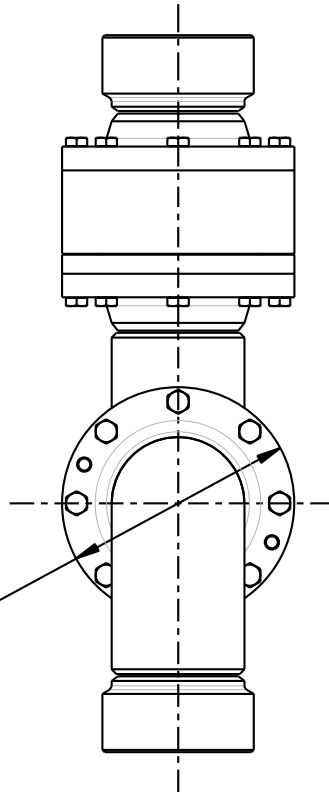
D

THIS DRAWING IS NOT TO BE SCALED. FOR ADDITIONAL INFORMATION, PLEASE CONTACT OUR ENGINEERING DEPT.

REVISIONS					
LTR	ECN #	DESCRIPTION	DRAWN	APPROVED	DATE
REL	41360	INITIAL RELEASE	SCK	NAC	10/13/03



SCALE 0.150

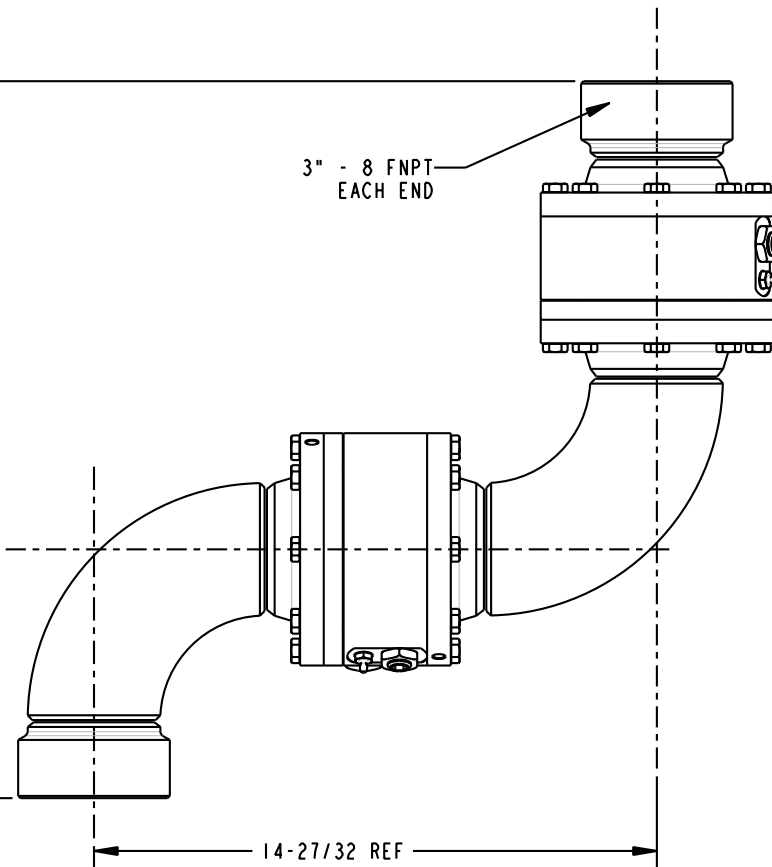


Ø6-1/8 REF

18-29/32 REF

6-9/16 REF

3" - 8 FNPT
EACH END



14-27/32 REF

NOTES:

1. AIR TEST @ 5 psi & 70 psi, OR HYDROSTATIC TEST PER CUSTOMER SPECIFICATION.
2. MAXIMUM PRESSURE 500 psi.

CONFIDENTIAL THIS DOCUMENT CONTAINS INFORMATION WHICH IS PROPRIETARY TO OPW, AND SHOULD BE PROTECTED ACCORDINGLY.

DESCRIPTION:

SWIVEL, 3" DSF STYLE 50

UNLESS OTHERWISE SPECIFIED

TOLERANCES ON DIMENSIONS
 3 DECIMALS +/- 0.005
 2 DECIMALS +/- 0.015
 1 DECIMAL +/- 0.030
 ANGLES +/- 1/2 DEG
 MACHINED SURFACES 125 RMS MAX

SIGNATURES

DRAWN: SCK MO-DA-YR 09/25/03

CHECKED: NAC 10/13/03

MATERIAL: WEIGHT: 63.5 lbs.

REV: REL

SIZE: C

PART NUMBER:

08X50-03XX

SCALE: 0.300

SHEET 1 OF 1

OPW Engineered Systems
 A **DOVER** Resources Company
 Lebanon, Ohio 45036 USA

3D GENERATED DRAWING

A

B

C

D