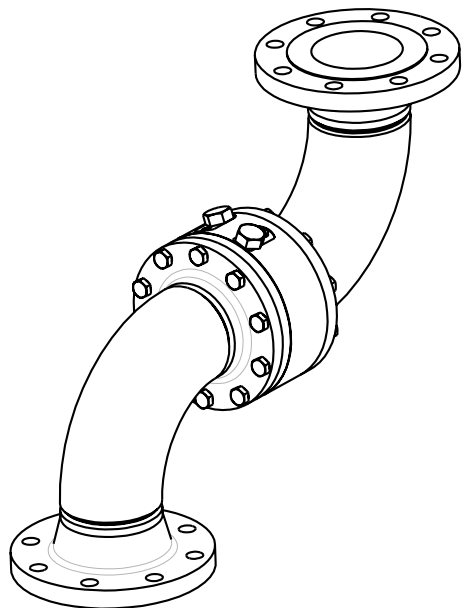
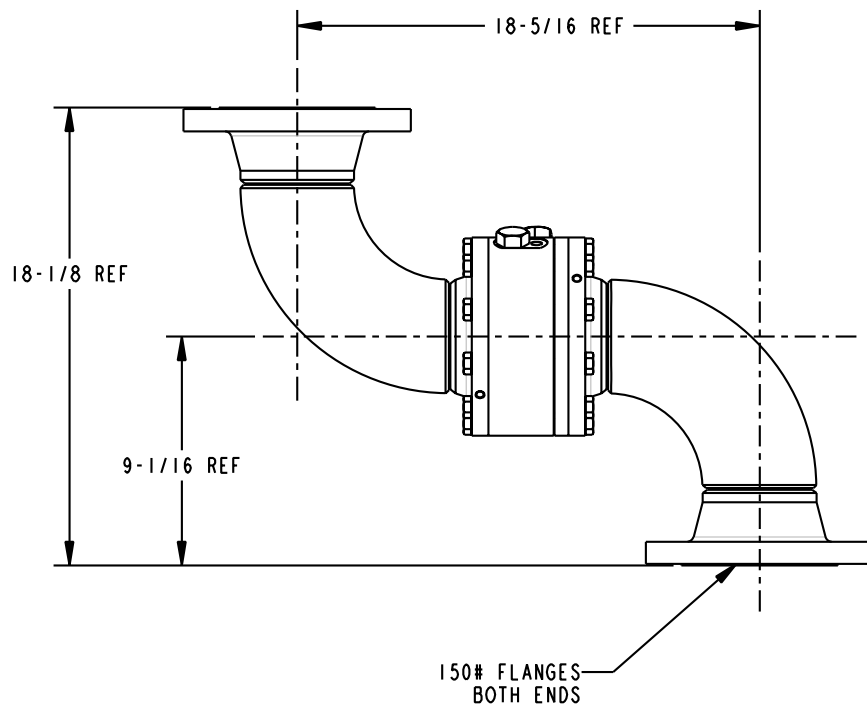
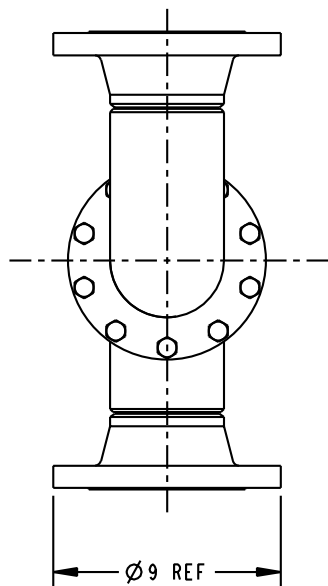


THIS DRAWING IS NOT TO BE SCALED. FOR ADDITIONAL INFORMATION, PLEASE CONTACT OUR ENGINEERING DEPT.

REVISIONS					
LTR	ECN #	DESCRIPTION	DRAWN	APPROVED	DATE
-	-	-	-	-	-



SCALE 0.180



150# FLANGES
BOTH ENDS

CONFIDENTIAL THIS DOCUMENT CONTAINS INFORMATION WHICH IS PROPRIETARY TO OPW, AND SHOULD BE PROTECTED ACCORDINGLY.

DESCRIPTION: 4" SWIVEL, DSF, STYLE 40F

UNLESS OTHERWISE SPECIFIED
TOLERANCES ON DIMENSIONS
3 DECIMALS +/- 0.005
2 DECIMALS +/- 0.015
1 DECIMAL +/- 0.030
ANGLES +/- 1/2 DEG
MACHINED SURFACES 125 RMS MAX

SIGNATURES		MO-DA-YR	REV:
DRAWN:	SCK	01/31/07	-
CHECKED:	-	-	-
MATERIAL:	-	WEIGHT:	92 lbs

SIZE:	C
PART NUMBER:	8940F-04XX
SCALE:	0.200
SHEET	1 OF 1

OPW Engineered Systems
A **DOVER** Resources Company
Lebanon, Ohio 45036 USA

3D GENERATED DRAWING