

A

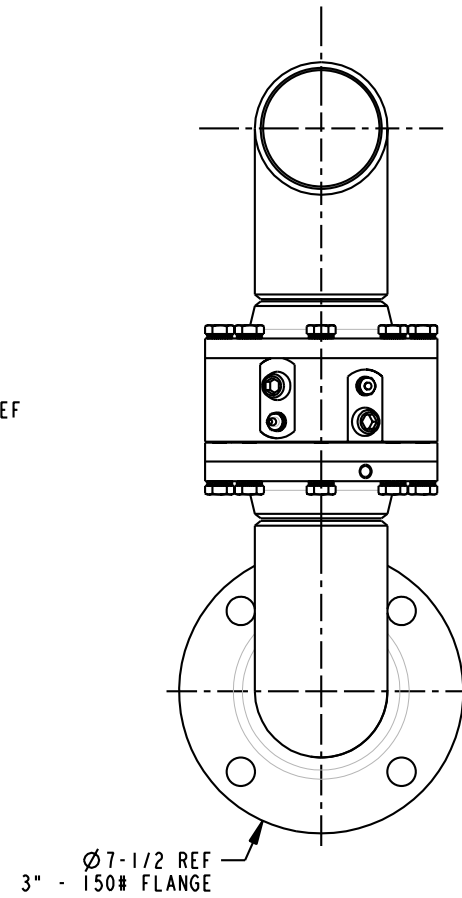
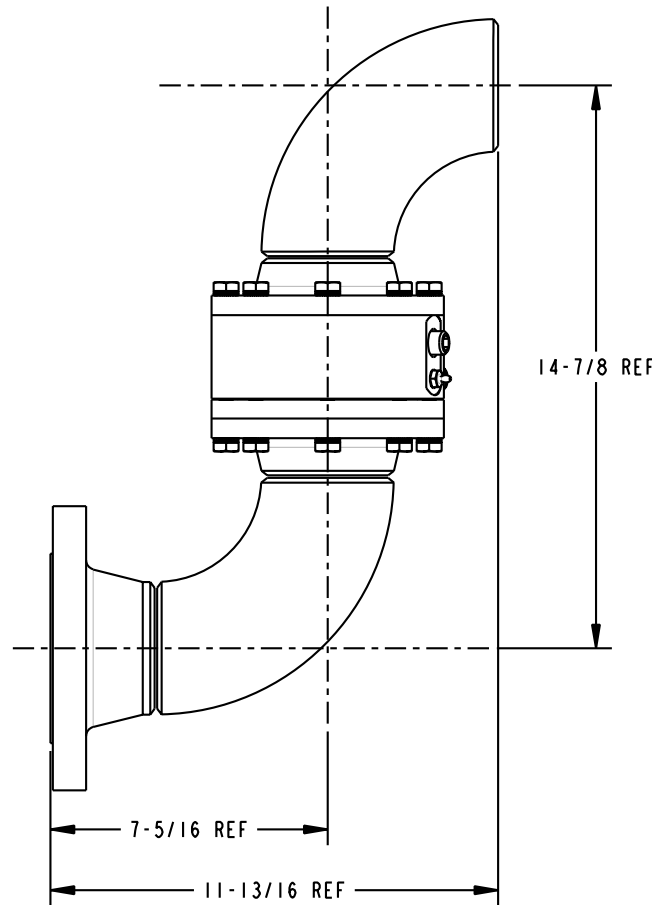
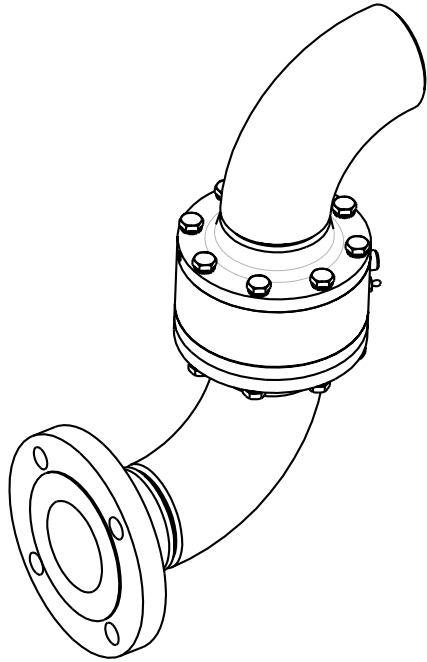
B

C

D

THIS DRAWING IS NOT TO BE SCALED. FOR ADDITIONAL INFORMATION, PLEASE CONTACT OUR ENGINEERING DEPT.

REVISIONS				DRAWN	APPROVED	DATE
LTR	ECN #	DESCRIPTION				
-	-	-	-	-	-	-



**CONFIDENTIAL** THIS DOCUMENT CONTAINS INFORMATION WHICH IS PROPRIETARY TO OPW, AND SHOULD BE PROTECTED ACCORDINGLY.

DESCRIPTION: 3" SWIVEL,CST,ENDURA DSF

SIGNATURES		MO-DA-YR	REV:
DRAWN:	SCK	10/05/09	-
CHECKED:	-	-	-
MATERIAL:	84.000	WEIGHT:	-

PART NUMBER:	<b>8440FW-03XX</b>
SCALE: 0.300	
SHEET 1 OF 1	

**OPW** Engineered Systems  
 A **DOVER** Resources Company  
 Lebanon, Ohio 45036 USA  
 3D GENERATED DRAWING

A

B

C

D