

A

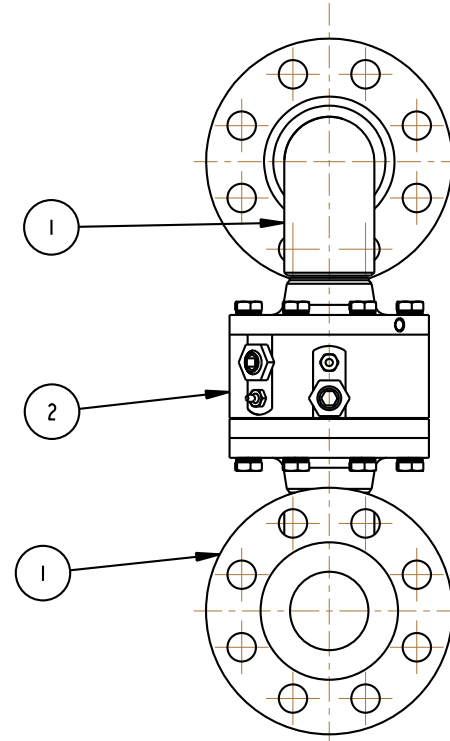
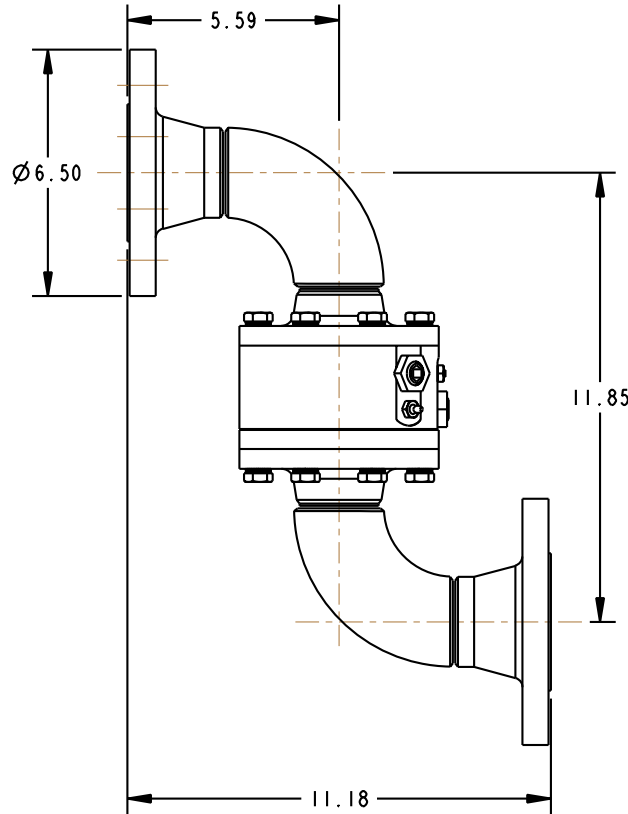
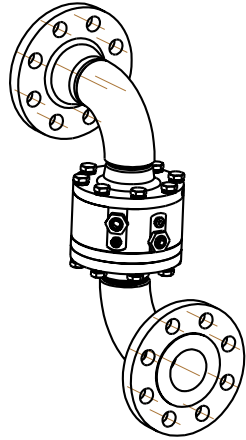
B

C

D

THIS DRAWING IS NOT TO BE SCALED. FOR ADDITIONAL INFORMATION, PLEASE CONTACT OUR ENGINEERING DEPT.

| REVISIONS | | | | DRAWN | APPROVED | DATE |
|-----------|-------|-------------|---|-------|----------|------|
| LTR | ECN # | DESCRIPTION | | | | |
| - | - | - | - | - | - | - |



ALL SWIVEL COMPONENTS TO HAVE CORROSION RESISTANT PLATING.

| 2 | 1 | | C20723 | MODULE, SWIVEL, CST, DSF, 2" |
|------|-----|----|-------------|-------------------------------------|
| 1 | 2 | EA | C20738 | ASM, SF x LRE x F 300, CST, DSF, 2" |
| ITEM | QTY | UM | PART NUMBER | DESCRIPTION |

| | | | | |
|--|---------------|--|---|---------|
| CONFIDENTIAL THIS DOCUMENT CONTAINS INFORMATION WHICH IS PROPRIETARY TO OPW, AND SHOULD BE PROTECTED ACCORDINGLY. | | | DESCRIPTION: 2" SWVL, ENDURA DSF, CST, GFLT, FLG, 300# | |
| UNLESS OTHERWISE SPECIFIED TOLERANCES ON DIMENSIONS 3 DECIMALS +/- 0.005 2 DECIMALS +/- 0.015 1 DECIMAL +/- 0.030 ANGLES +/- 1/2 DEG MACHINED SURFACES 125 RMS MAX | SIGNATURES | | MO-DA-YR | REV: |
| | DRAWN: DEH | | 10/9/2008 | - |
| | CHECKED: | | - | SIZE: C |
| | MATERIAL: CST | | WEIGHT: # | |
| PART NUMBER: 8440F3-0202-G899 | | | A DOVER Resources Company Lebanon, Ohio 45036 USA | |
| SCALE: 0.167 | | | SHEET 1 OF 1 | |
| 3D GENERATED DRAWING | | | | |

A

B

C

D