

A

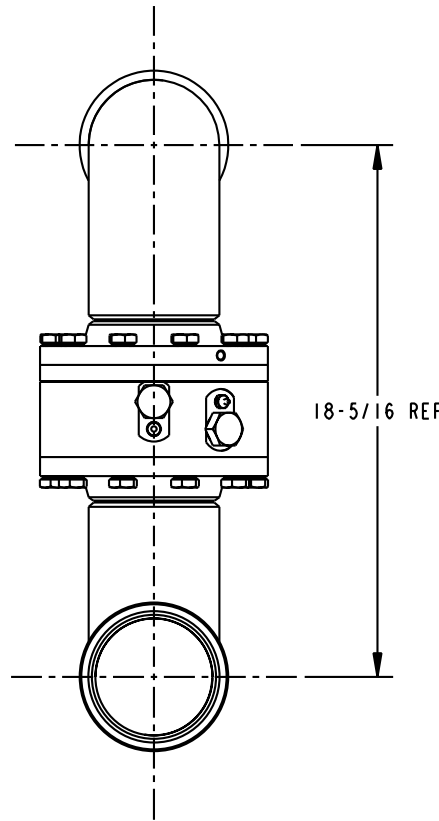
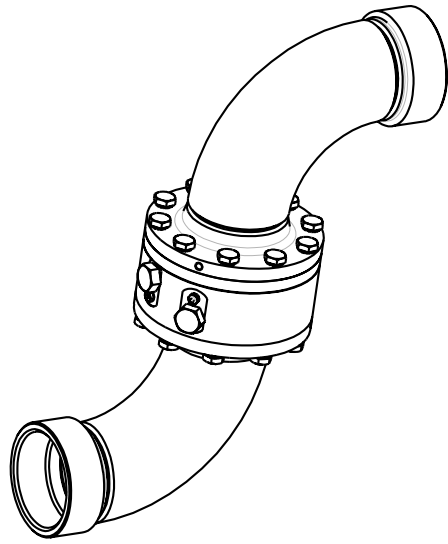
B

C

D

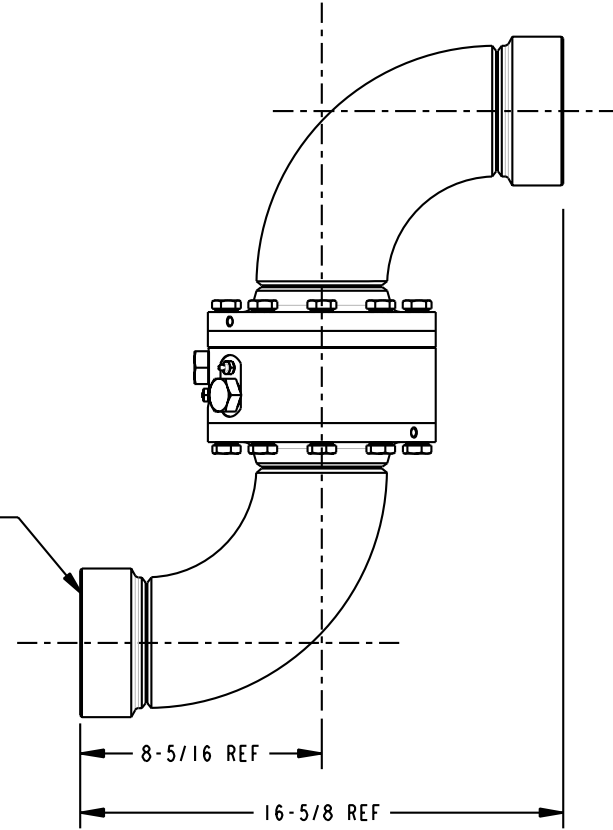
THIS DRAWING IS NOT TO BE SCALED. FOR ADDITIONAL INFORMATION, PLEASE CONTACT OUR ENGINEERING DEPT.

REVISIONS				DRAWN	APPROVED	DATE
LTR	ECN #	DESCRIPTION				
-	-	-	-	-	-	-



18-5/16 REF

4" - 8 FNPT  
BOTH ENDS



8-5/16 REF

16-5/8 REF

**CONFIDENTIAL** THIS DOCUMENT CONTAINS INFORMATION WHICH IS PROPRIETARY TO OPW, AND SHOULD BE PROTECTED ACCORDINGLY.

DESCRIPTION:  
4" SWIVEL, CST, ENDURA DSF, FNPT

UNLESS OTHERWISE SPECIFIED  
 TOLERANCES ON DIMENSIONS  
 3 DECIMALS +/- 0.005  
 2 DECIMALS +/- 0.015  
 1 DECIMAL +/- 0.030  
 ANGLES +/- 1/2 DEG  
 MACHINED SURFACES 125 RMS MAX

SIGNATURES		MO-DA-YR	REV:
DRAWN:	SCK	04/23/09	-
CHECKED:	-	-	-
MATERIAL:	CST	WEIGHT:	71 lbs.

PART NUMBER:	8440-040X
SCALE:	0.230
SHEET	1 OF 1

**OPW Engineered Systems**  
 A **DOVER** Resources Company  
 Lebanon, Ohio 45036 USA

3D GENERATED DRAWING

A

B

C

D