

A

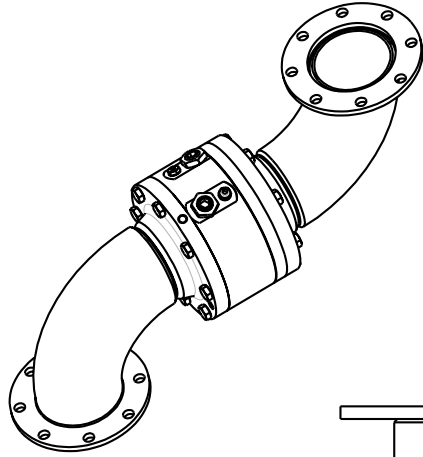
B

C

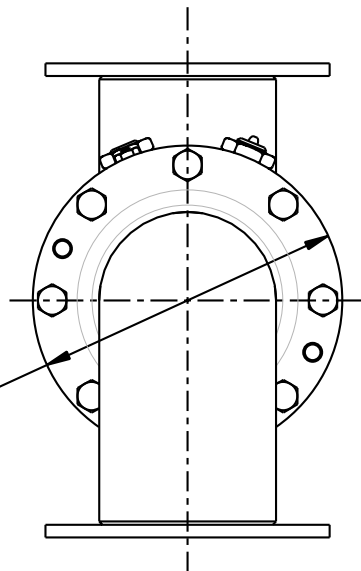
D

THIS DRAWING IS NOT TO BE SCALED. FOR ADDITIONAL INFORMATION. PLEASE CONTACT OUR ENGINEERING DEPT.

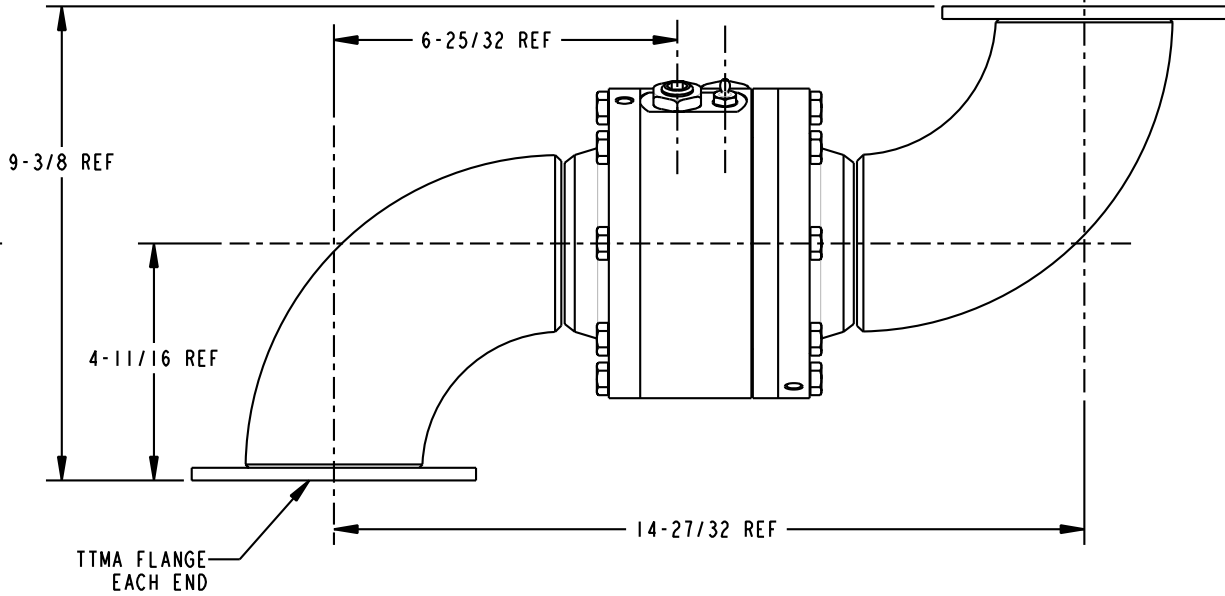
REVISIONS					
LTR	ECN #	DESCRIPTION	DRAWN	APPROVED	DATE
REL	41360	INITIAL RELEASE	SCK	NAC	10/13/03



SCALE 0.200



Ø6-1/8 REF



9-3/8 REF

6-25/32 REF

4-11/16 REF

14-27/32 REF

TTMA FLANGE EACH END

NOTES:

1. AIR TEST @ 5 psi & 70 psi, OR HYDROSTATIC TEST PER CUSTOMER SPECIFICATION.
2. MAXIMUM PRESSURE 500 psi.

<b>CONFIDENTIAL</b> THIS DOCUMENT CONTAINS INFORMATION WHICH IS PROPRIETARY TO OPW, AND SHOULD BE PROTECTED ACCORDINGLY.		DESCRIPTION: SWIVEL, 3" DSF STYLE 40FT	
UNLESS OTHERWISE SPECIFIED TOLERANCES ON DIMENSIONS 3 DECIMALS +/- 0.005 2 DECIMALS +/- 0.015 1 DECIMAL +/- 0.030 ANGLES +/- 1/2 DEG MACHINED SURFACES 125 RMS MAX	SIGNATURES	MO-DA-YR	REV. REL
	DRAWN: SCK	09/26/03	
	CHECKED: NAC	10/13/03	SIZE: C
	MATERIAL:	WEIGHT: 36 lbs.	PART NUMBER: 08X40FT-03XX
			SCALE: 0.400 SHEET 1 OF 1

**OPW Engineered Systems**  
 A **DOVER** Resources Company  
 Lebanon, Ohio 45036 USA  
 3D GENERATED DRAWING

A

B

C

D