

A

B

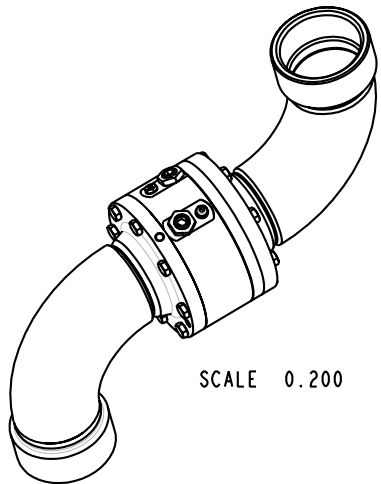
C

D

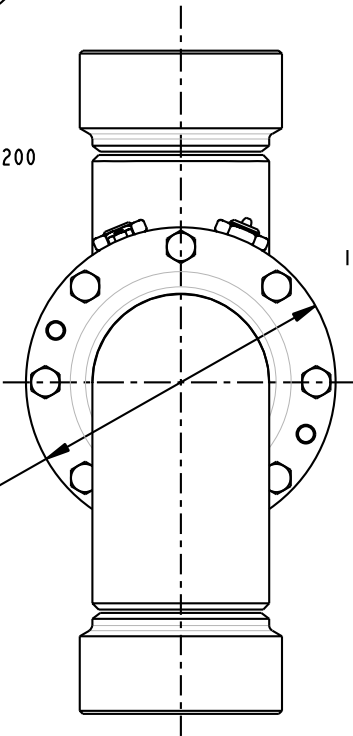
THIS DRAWING IS NOT TO BE SCALED. FOR ADDITIONAL INFORMATION. PLEASE CONTACT OUR ENGINEERING DEPT.

REVISIONS

LTR	ECN #	DESCRIPTION	DRAWN	APPROVED	DATE
REL	41360	INITIAL RELEASE	SCK	NAC	10/13/03

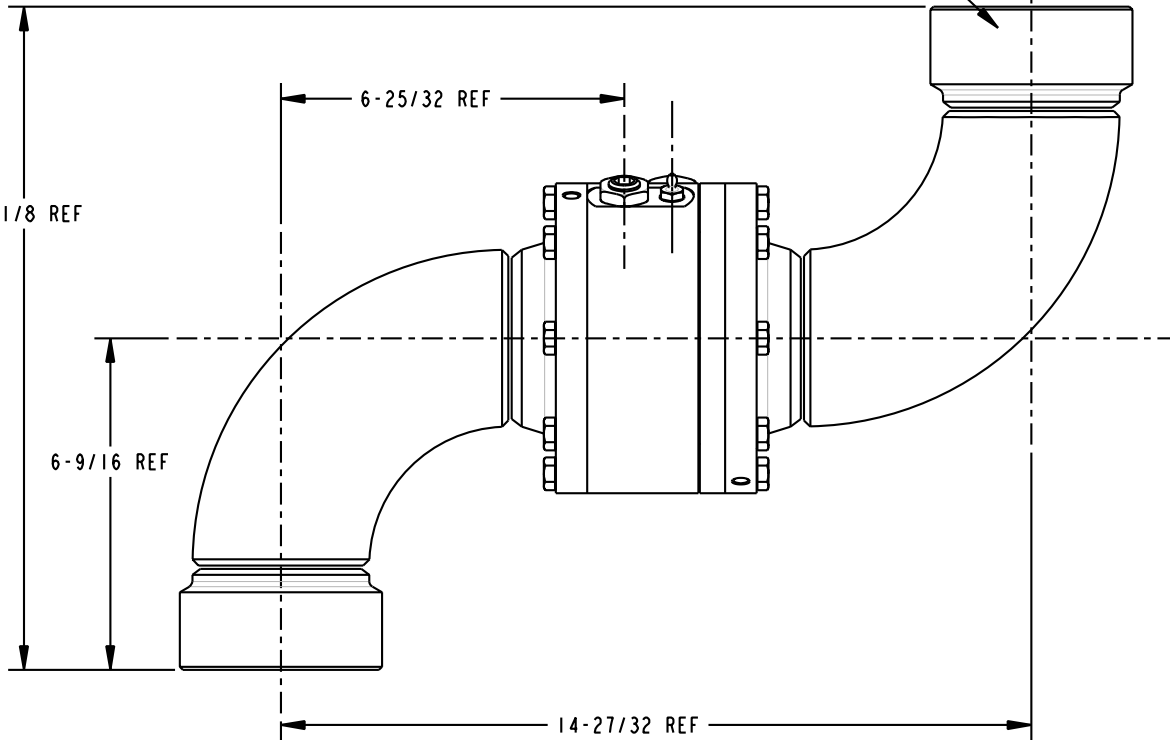


SCALE 0.200



Ø6-1/8 REF

13-1/8 REF



3" - 8 FNPT EACH END

6-25/32 REF

6-9/16 REF

14-27/32 REF

NOTES:

- AIR TEST @ 5 psi & 70 psi, OR HYDROSTATIC TEST PER CUSTOMER SPECIFICATION.
- MAXIMUM PRESSURE 500 psi.

CONFIDENTIAL THIS DOCUMENT CONTAINS INFORMATION WHICH IS PROPRIETARY TO OPW, AND SHOULD BE PROTECTED ACCORDINGLY.

DESCRIPTION:

SWIVEL, 3" DSF STYLE 40

UNLESS OTHERWISE SPECIFIED
 TOLERANCES ON DIMENSIONS
 3 DECIMALS +/- 0.005
 2 DECIMALS +/- 0.015
 1 DECIMAL +/- 0.030
 ANGLES +/- 1/2 DEG
 MACHINED SURFACES 125 RMS MAX

SIGNATURES		MO-DA-YR	REV.
DRAWN:	SCK	09/25/03	REL
CHECKED:	NAC	10/13/03	SIZE: C
MATERIAL:	-	WEIGHT: 38 lbs.	

PART NUMBER:	08X40-03XX
SCALE:	0.400
SHEET:	1 OF 1

OPW **Engineered Systems**
 A **DOVER** Resources Company
 Lebanon, Ohio 45036 USA

3D GENERATED DRAWING

A

B

C

D