

A

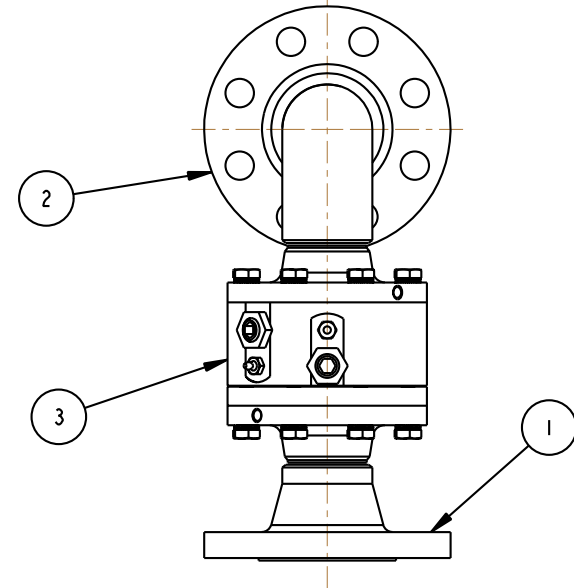
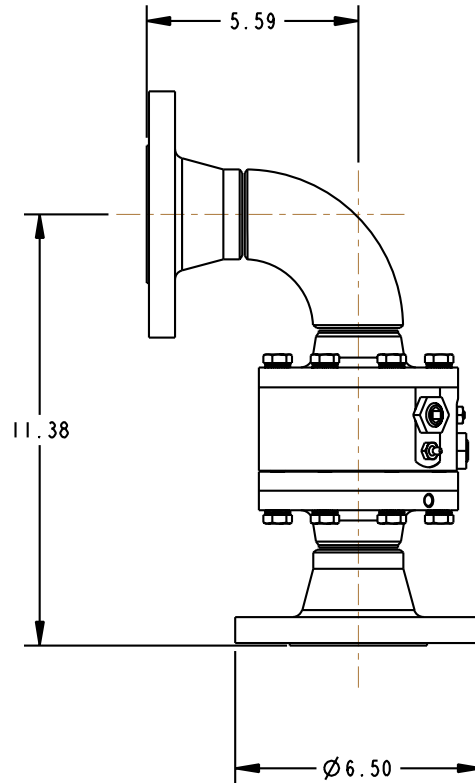
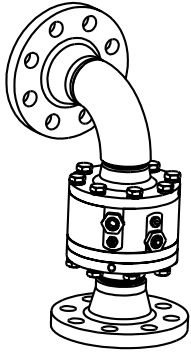
B

C

D

THIS DRAWING IS NOT TO BE SCALED. FOR ADDITIONAL INFORMATION, PLEASE CONTACT OUR ENGINEERING DEPT.

REVISIONS					
LTR	ECN #	DESCRIPTION	DRAWN	APPROVED	DATE
-	-	-	-	-	-



ALL SWIVEL COMPONENTS TO HAVE CORROSION RESISTANT PLATING.

ITEM	QTY	UM	PART NUMBER	DESCRIPTION
3	1		C20723	MODULE, SWIVEL, CST, DSF, 2"
2	1	EA	C20738	ASM, SF x LRE x F 300, CST, DSF, 2"
1	1	EA	C20737	ASM, SF x F 300#, CST, DSF, 2"

CONFIDENTIAL THIS DOCUMENT CONTAINS INFORMATION WHICH IS PROPRIETARY TO OPW, AND SHOULD BE PROTECTED ACCORDINGLY.			DESCRIPTION: 2" SWVL, ENDURA DSF, CST, GFLT, FLG, 300#	
UNLESS OTHERWISE SPECIFIED TOLERANCES ON DIMENSIONS 3 DECIMALS +/- 0.005 2 DECIMALS +/- 0.015 1 DECIMAL +/- 0.030 ANGLES +/- 1/2 DEG MACHINED SURFACES 125 RMS MAX	SIGNATURES		MO-DA-YR	REV:
	DRAWN: DEH		10/9/2008	-
	CHECKED: -		-	SIZE: C
	MATERIAL: CST		WEIGHT: #	PART NUMBER: 8430F3-0202-G898
SCALE: 0.167			SHEET 1 OF 1	

A

B

C

D

OPW Engineered Systems
A **DOVER** Resources Company
Lebanon, Ohio 45036 USA
3D GENERATED DRAWING