

A

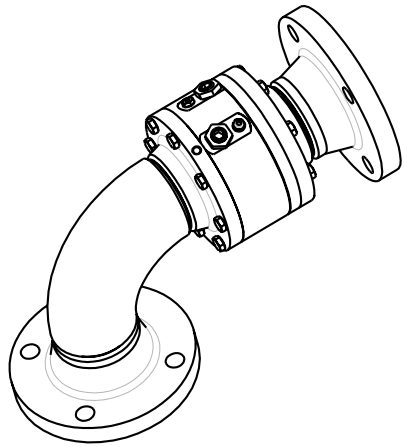
B

C

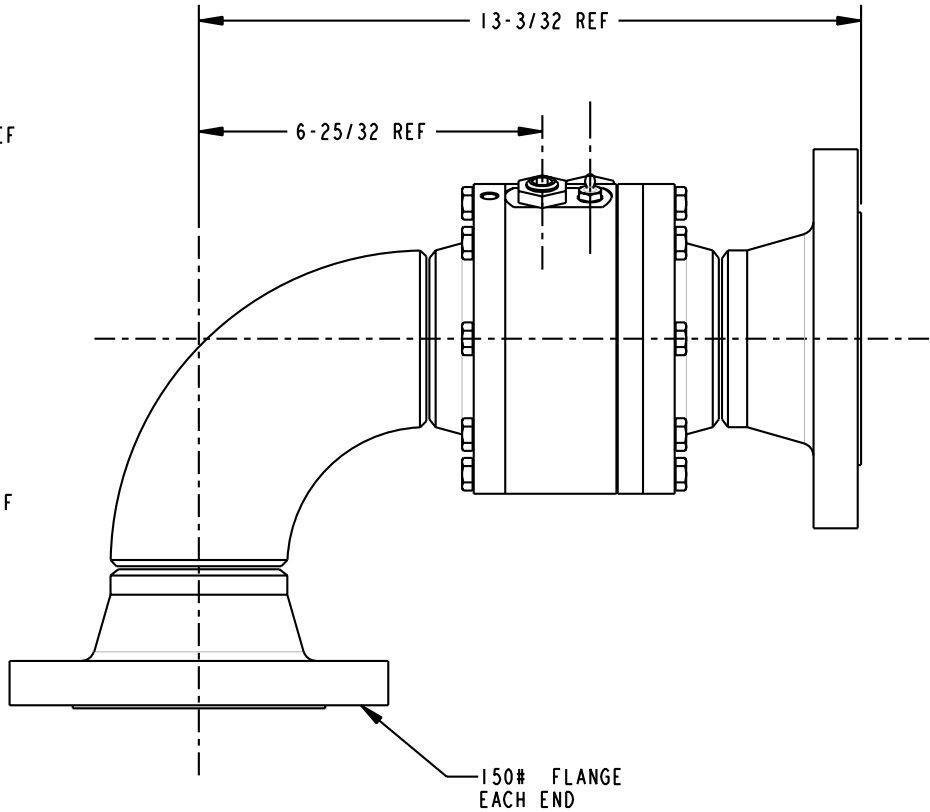
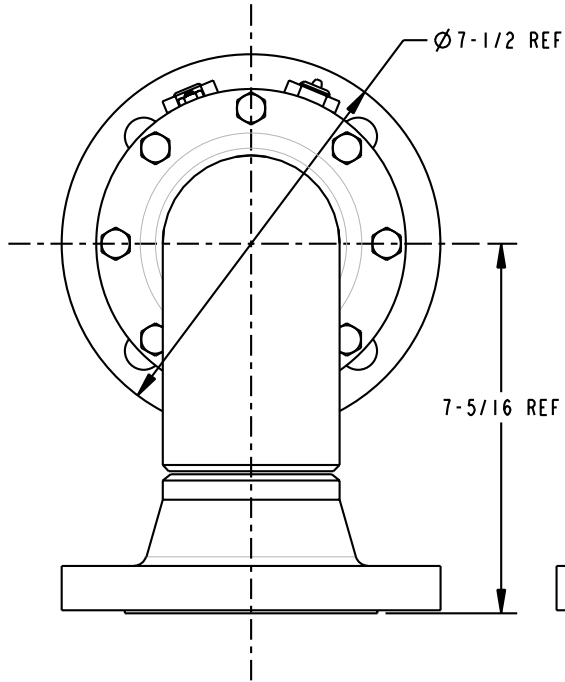
D

THIS DRAWING IS NOT TO BE SCALED. FOR ADDITIONAL INFORMATION, PLEASE CONTACT OUR ENGINEERING DEPT.

REVISIONS				DRAWN	APPROVED	DATE
LTR	ECN #	DESCRIPTION				
-	41360	-				



SCALE 0.200



NOTES:

1. AIR TEST @ 5 psi & 70 psi, OR HYDROSTATIC TEST PER CUSTOMER SPECIFICATION.
2. MAXIMUM PRESSURE 500 psi.

CONFIDENTIAL THIS DOCUMENT CONTAINS INFORMATION WHICH IS PROPRIETARY TO OPW, AND SHOULD BE PROTECTED ACCORDINGLY.		DESCRIPTION: SWIVEL, 3" DSF STYLE 30F,LT BUNA	
UNLESS OTHERWISE SPECIFIED TOLERANCES ON DIMENSIONS 3 DECIMALS +/- 0.005 2 DECIMALS +/- 0.015 1 DECIMAL +/- 0.030 ANGLES +/- 1/2 DEG MACHINED SURFACES 125 RMS MAX		SIGNATURES DRAWN: SCK	MO-DA-YR 01/26/07
		CHECKED:	REV: -
		MATERIAL:	SIZE: C
		WEIGHT: 51.5 lbs.	PART NUMBER: 8430F-0301-LT
			SCALE: 0.400 SHEET 1 OF 1
			3D GENERATED DRAWING

OPW **Engineered Systems**
 A **DOVER** Resources Company
 Lebanon, Ohio 45036 USA

A

B

C

D