

A

B

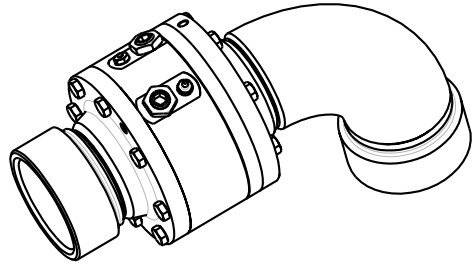
C

D

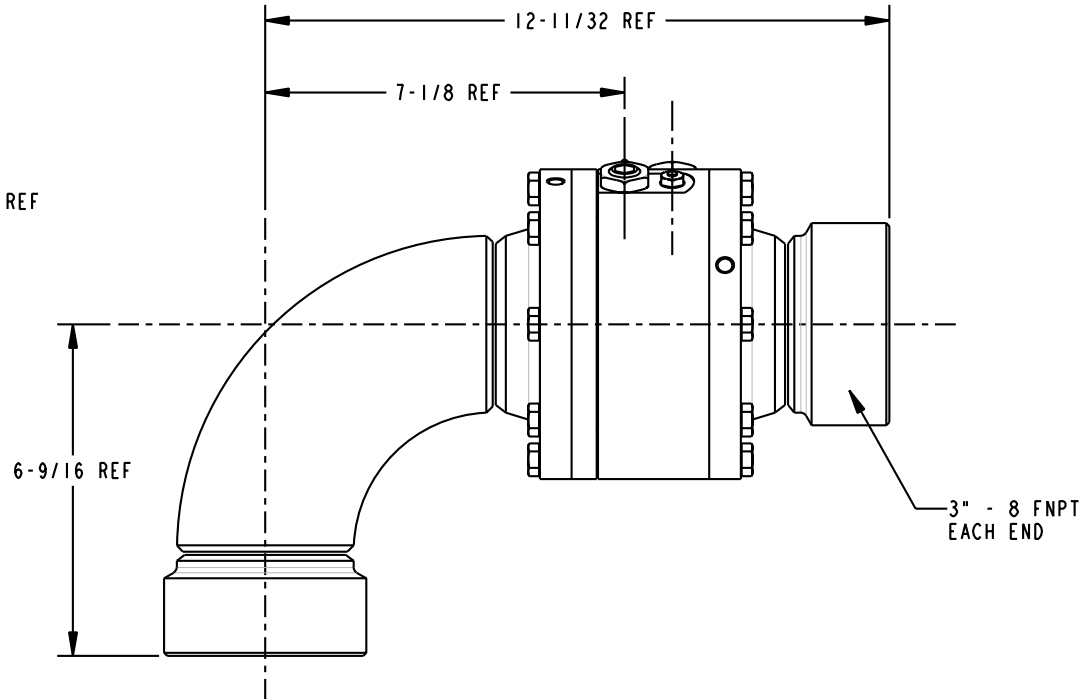
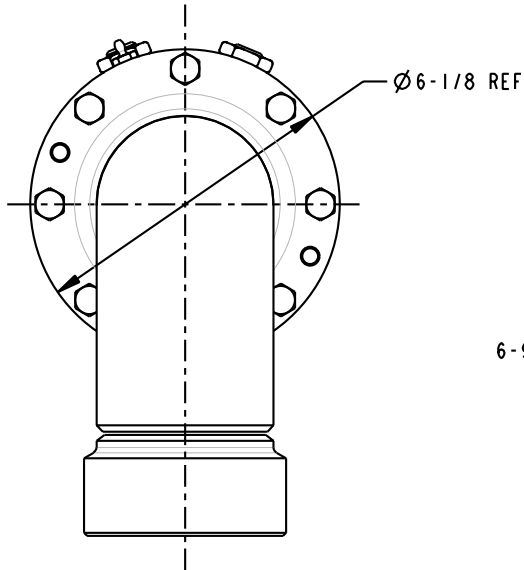
THIS DRAWING IS NOT TO BE SCALED. FOR ADDITIONAL INFORMATION, PLEASE CONTACT OUR ENGINEERING DEPT.

REVISIONS

LTR	ECN #	DESCRIPTION	DRAWN	APPROVED	DATE
REL	41360	INITIAL RELEASE	SCK	NAC	10/13/03



SCALE 0.250



NOTES:

- AIR TEST @ 5 psi & 70 psi, OR HYDROSTATIC TEST PER CUSTOMER SPECIFICATION.
- MAXIMUM PRESSURE 500 psi.

CONFIDENTIAL THIS DOCUMENT CONTAINS INFORMATION WHICH IS PROPRIETARY TO OPW, AND SHOULD BE PROTECTED ACCORDINGLY.		DESCRIPTION: SWIVEL, 3" DSF STYLE 30	
UNLESS OTHERWISE SPECIFIED TOLERANCES ON DIMENSIONS 3 DECIMALS +/- 0.005 2 DECIMALS +/- 0.015 1 DECIMAL +/- 0.030 ANGLES +/- 1/2 DEG MACHINED SURFACES 125 RMS MAX	SIGNATURES	MO-DA-YR	REV: REL
	DRAWN: SCK	09/25/03	
	CHECKED: NAC	10/13/03	SIZE: C
	MATERIAL:	WEIGHT: 34 lbs.	PART NUMBER: 08X30-03XX
			SCALE: 0.400 SHEET 1 OF 1
			3D GENERATED DRAWING

A

B

C

D

1

1

2

2

3

3

4

4