

A

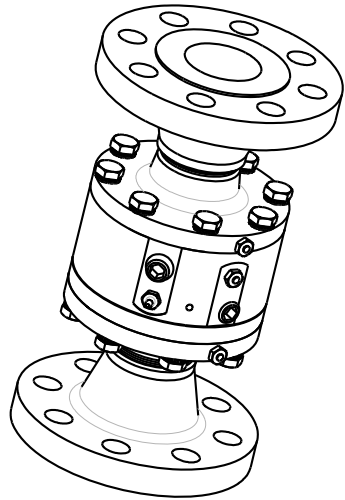
B

C

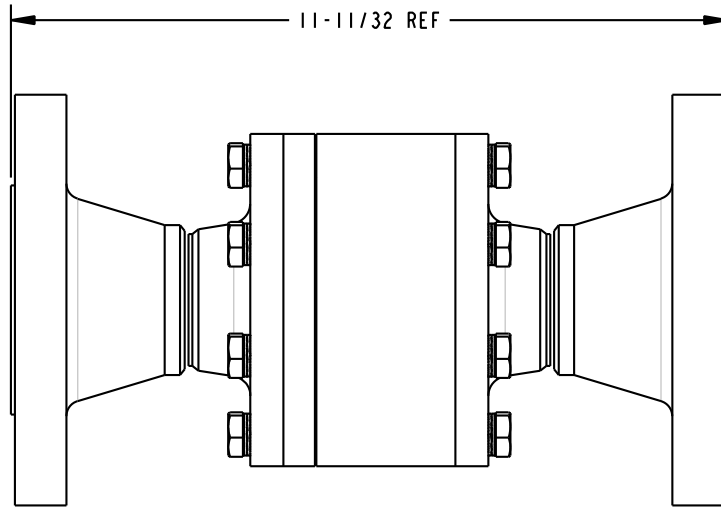
D

THIS DRAWING IS NOT TO BE SCALED. FOR ADDITIONAL INFORMATION. PLEASE CONTACT OUR ENGINEERING DEPT.

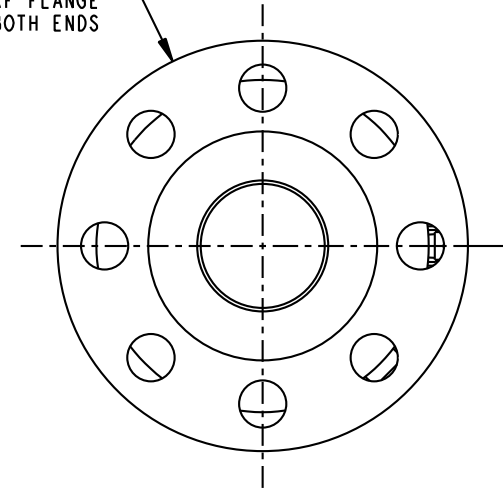
REVISIONS					
LTR	ECN #	DESCRIPTION	DRAWN	APPROVED	DATE
-	-	-	-	-	-



SCALE 0.300



Ø6-1/2 REF
2" - 300# RF FLANGE
BOTH ENDS



CONFIDENTIAL THIS DOCUMENT CONTAINS INFORMATION WHICH IS PROPRIETARY TO OPW, AND SHOULD BE PROTECTED ACCORDINGLY.

DESCRIPTION:
2" SWIVEL, ENDURA DSF, 300# FLG

UNLESS OTHERWISE SPECIFIED
TOLERANCES ON DIMENSIONS
3 DECIMALS +/- 0.005
2 DECIMALS +/- 0.015
1 DECIMAL +/- 0.030
ANGLES +/- 1/2 DEG
MACHINED SURFACES 125 Ra MAX

SIGNATURES		MO-DA-YR	REV:
DRAWN:	SCK	05/14/07	-
CHECKED:	-	-	-
MATERIAL:	WEIGHT:	-	-

SIZE:
C

PART NUMBER:
8X20F3-02XX



SCALE: 0.500

SHEET 1 OF 1

3D GENERATED DRAWING

A

B

C

D