

A

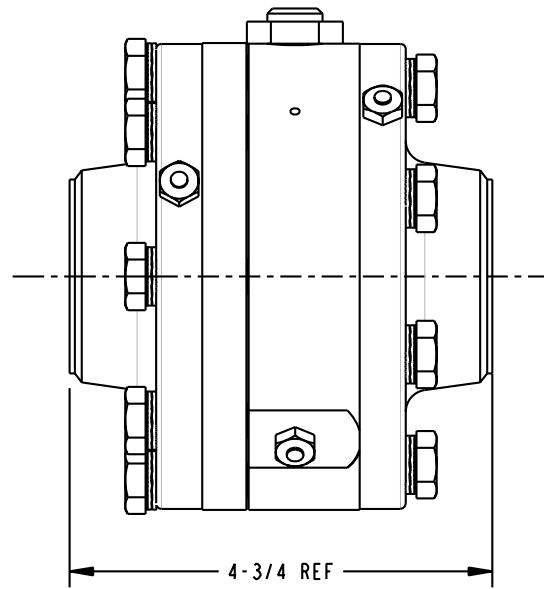
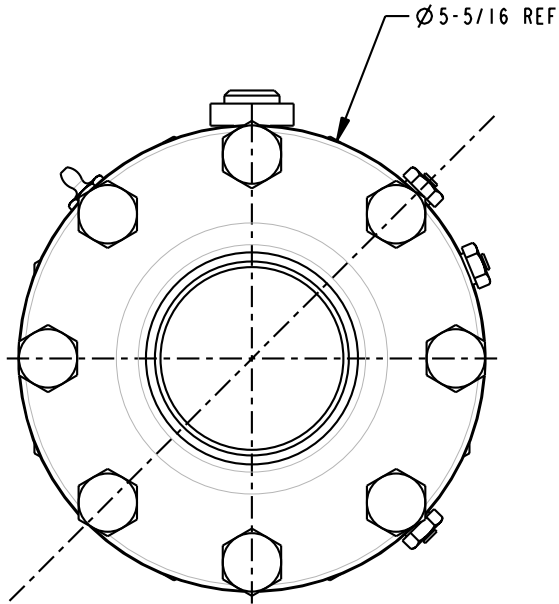
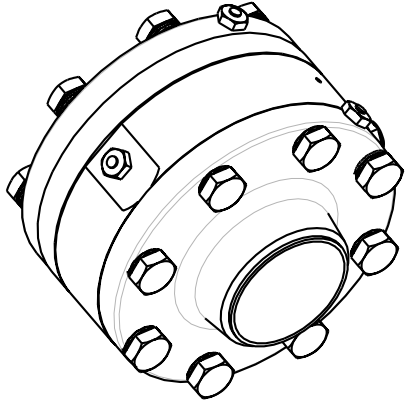
B

C

D

THIS DRAWING IS NOT TO BE SCALED. FOR ADDITIONAL INFORMATION, PLEASE CONTACT OUR ENGINEERING DEPT.

REVISIONS				DRAWN	APPROVED	DATE
LTR	ECN #	DESCRIPTION				
-	-	-	-	-	-	-



CONFIDENTIAL THIS DOCUMENT CONTAINS INFORMATION WHICH IS PROPRIETARY TO OPW, AND SHOULD BE PROTECTED ACCORDINGLY.

DESCRIPTION: 2" SWIVEL, SST, ENDURA DSF, SINGLE

SIGNATURES		MO-DA-YR	REV:
DRAWN:	SCK	06/04/08	-
CHECKED:	-	-	-
MATERIAL:	SST	WEIGHT:	15 lbs.

PART NUMBER:	8720W-02XX
SCALE:	0.700
SHEET	1 OF 1

OPW Engineered Systems
 A **DOVER** Resources Company
 Lebanon, Ohio 45036 USA

3D GENERATED DRAWING

A

B

C

D