

A

B

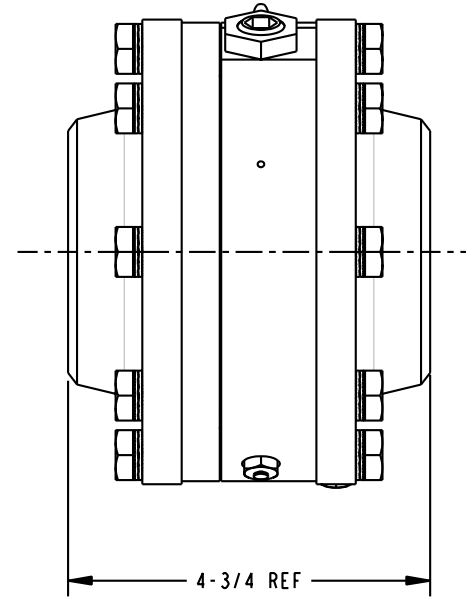
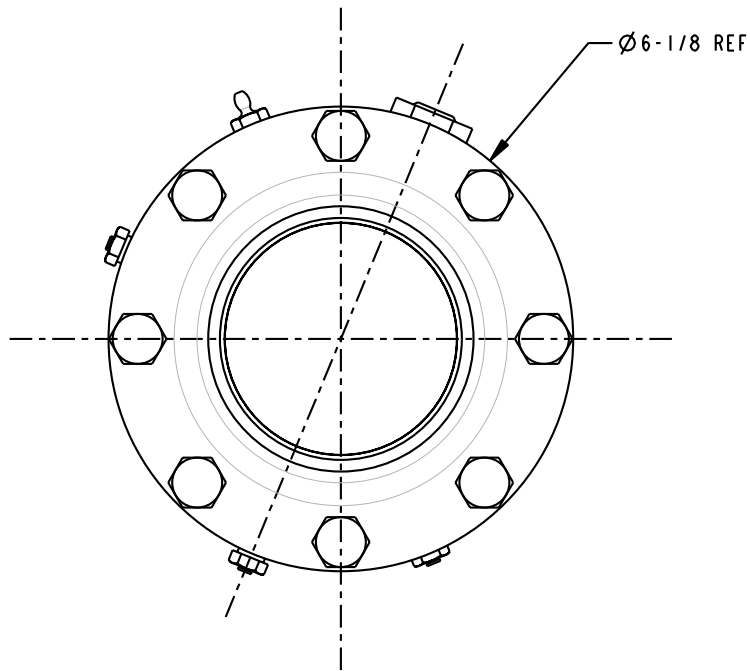
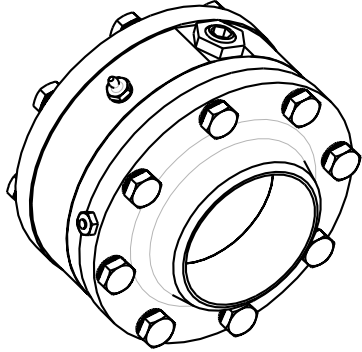
C

D

THIS DRAWING IS NOT TO BE SCALED. FOR ADDITIONAL INFORMATION, PLEASE CONTACT OUR ENGINEERING DEPT.

REVISIONS

LTR	ECN #	DESCRIPTION	DRAWN	APPROVED	DATE
-	-	-	-	-	-



CONFIDENTIAL THIS DOCUMENT CONTAINS INFORMATION WHICH IS PROPRIETARY TO OPW, AND SHOULD BE PROTECTED ACCORDINGLY.

DESCRIPTION: 3" SWIVEL, CST, ENDURA DSF, SINGLE

SIGNATURES		MO-DA-YR	REV:
DRAWN: SCK		06/04/08	-
CHECKED:		-	SIZE: C
MATERIAL: CST	WEIGHT: 19 lbs.		

PART NUMBER:
<b>8220W-03XX</b>
SCALE: 0.600

OPW **Engineered Systems**  
 A **DOVER** Resources Company  
 Lebanon, Ohio 45036 USA  
 3D GENERATED DRAWING

A

B

C

D

1

1

2

2

3

3

4

4