

A

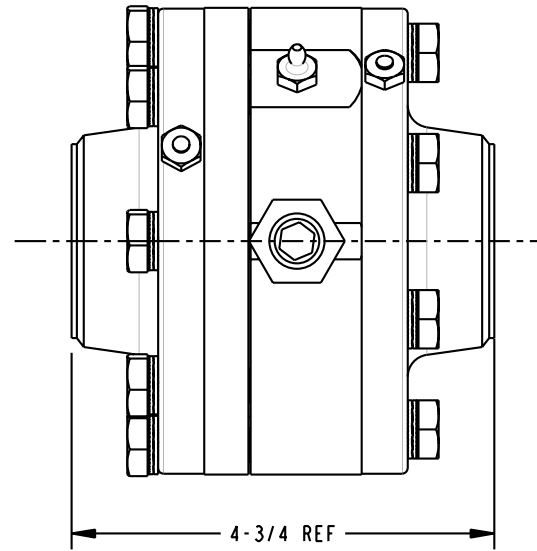
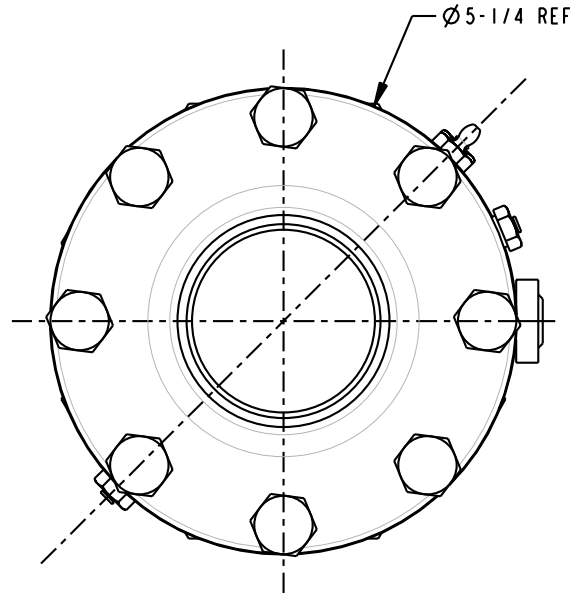
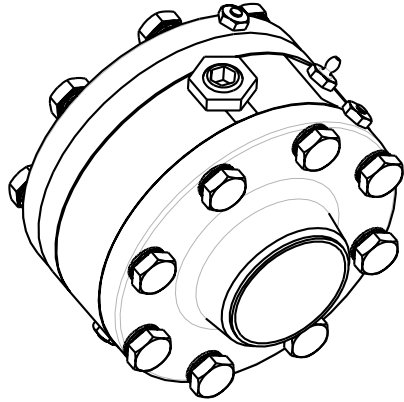
B

C

D

THIS DRAWING IS NOT TO BE SCALED. FOR ADDITIONAL INFORMATION, PLEASE CONTACT OUR ENGINEERING DEPT.

REVISIONS					
LTR	ECN #	DESCRIPTION	DRAWN	APPROVED	DATE
-	-	-	-	-	-



CONFIDENTIAL THIS DOCUMENT CONTAINS INFORMATION WHICH IS PROPRIETARY TO OPW, AND SHOULD BE PROTECTED ACCORDINGLY.

DESCRIPTION: 2" SWIVEL, CST, ENDURA DSF, SINGLE

SIGNATURES		MO-DA-YR	REV:
DRAWN: SCK		06/04/08	-
CHECKED:		-	SIZE: C
MATERIAL: CST	WEIGHT: 15 lbs.	SCALE: 0.700	

PART NUMBER: 8220W-02XX
SHEET 1 OF 1

OPW Engineered Systems
 A **DOVER** Resources Company
 Lebanon, Ohio 45036 USA

3D GENERATED DRAWING

A

B

C

D

1

1

2

2

3

3

4

4