

A

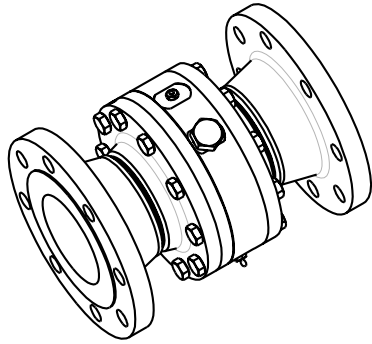
B

C

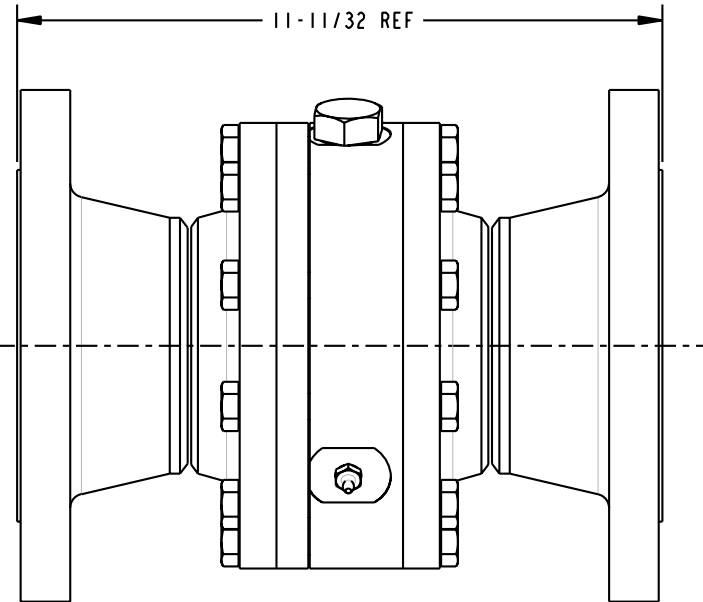
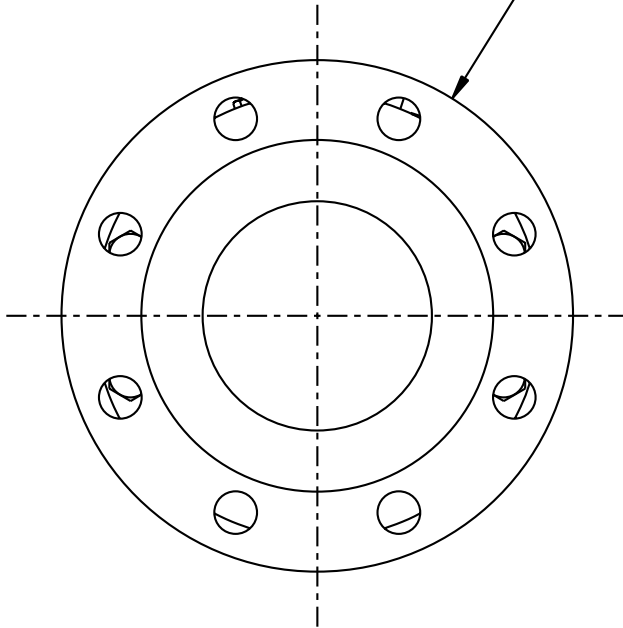
D

THIS DRAWING IS NOT TO BE SCALED. FOR ADDITIONAL INFORMATION, PLEASE CONTACT OUR ENGINEERING DEPT.

REVISIONS					
LTR	ECN #	DESCRIPTION	DRAWN	APPROVED	DATE
-	-	-	-	-	-



Ø9 REF
150# FLG
BOTH ENDS



CONFIDENTIAL THIS DOCUMENT CONTAINS INFORMATION WHICH IS PROPRIETARY TO OPW, AND SHOULD BE PROTECTED ACCORDINGLY.

DESCRIPTION:
4" SWIVEL, SST, DSF 'SINGLE', STYLE 20F

UNLESS OTHERWISE SPECIFIED
TOLERANCES ON DIMENSIONS
3 DECIMALS +/- 0.005
2 DECIMALS +/- 0.015
1 DECIMAL +/- 0.030
ANGLES +/- 1/2 DEG
MACHINED SURFACES 125 RMS MAX

SIGNATURES		MO-DA-YR
DRAWN: SCK/KSW		10/10/07
CHECKED:		
MATERIAL:	WEIGHT:	65.5 lbs

REV: REL
SIZE: C

PART NUMBER:
8720F3-04XX
SCALE: 0.450

OPW **Engineered Systems**
A **DOVER** Resources Company
Lebanon, Ohio 45036 USA
3D GENERATED DRAWING

A

B

C

D

1

1

2

2

3

3

4

4