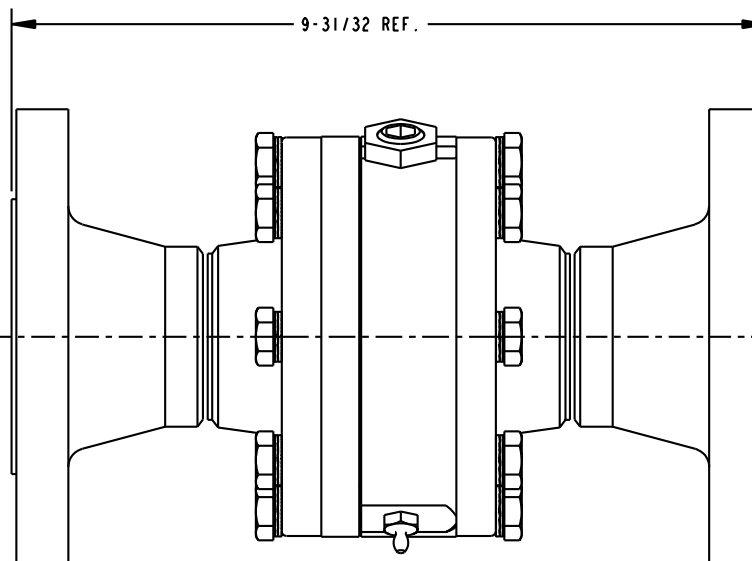
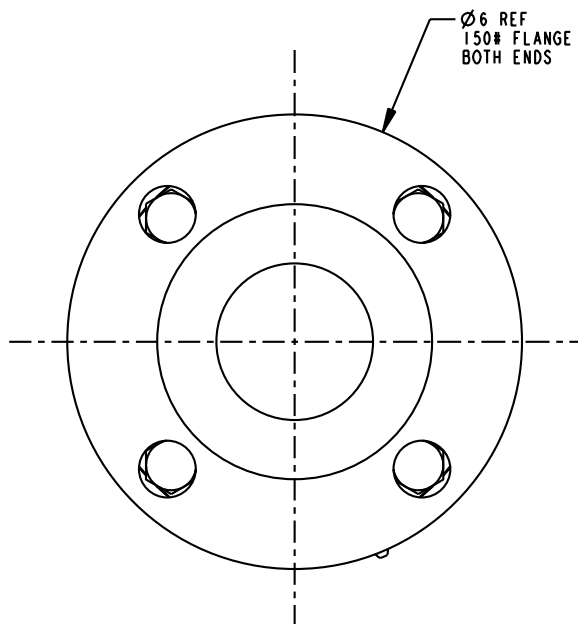
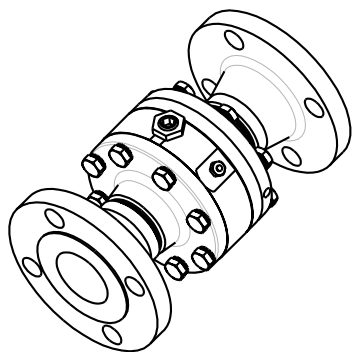


THIS DRAWING IS NOT TO BE SCALED. FOR ADDITIONAL INFORMATION, PLEASE CONTACT OUR ENGINEERING DEPT.

REVISIONS				DRAWN	APPROVED	DATE
LTR	ECN #	DESCRIPTION				
-	-	-	-	-	-	-



<b>CONFIDENTIAL</b> THIS DOCUMENT CONTAINS INFORMATION WHICH IS PROPRIETARY TO OPW, AND SHOULD BE PROTECTED ACCORDINGLY.		DESCRIPTION: 2" SWIVEL, CST, DSF 'SINGLE, STYLE 20F	
UNLESS OTHERWISE SPECIFIED TOLERANCES ON DIMENSIONS 3 DECIMALS +/- 0.005 2 DECIMALS +/- 0.015 1 DECIMAL +/- 0.030 ANGLES +/- 1/2 DEG MACHINED SURFACES 125 RMS MAX	SIGNATURES		REV:
	DRAWN: KSW	MO-DA-YR: 11/03/05	PART NUMBER:
	CHECKED: KSW	11/03/05	<b>8220F-02XX</b>
	MATERIAL: MM	WEIGHT: 26.5 lbs	SCALE: 0.600
		SIZE: <b>C</b>	SHEET 1 OF 1
		3D GENERATED DRAWING	

**OPW Engineered Systems**  
A **DOVER** Resources Company  
Lebanon, Ohio 45036 USA