

A

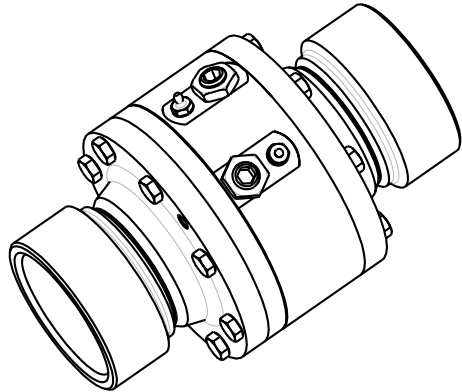
B

C

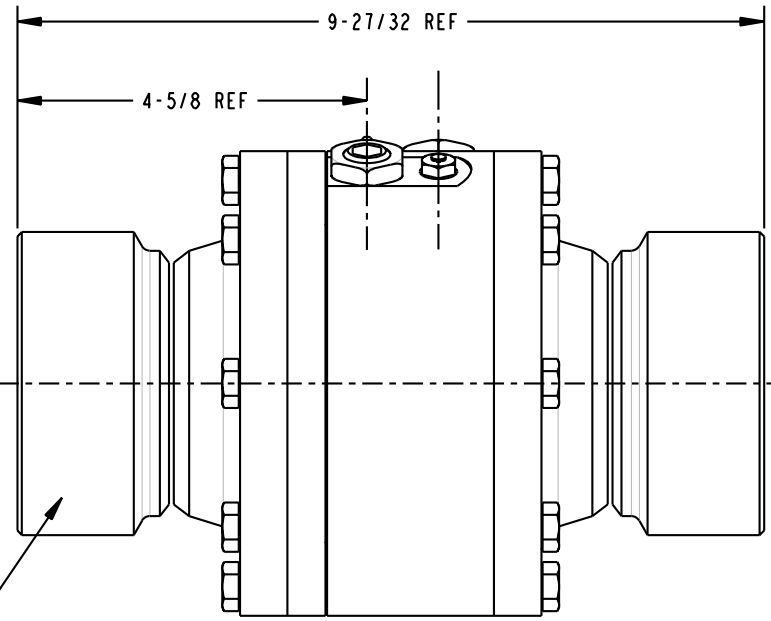
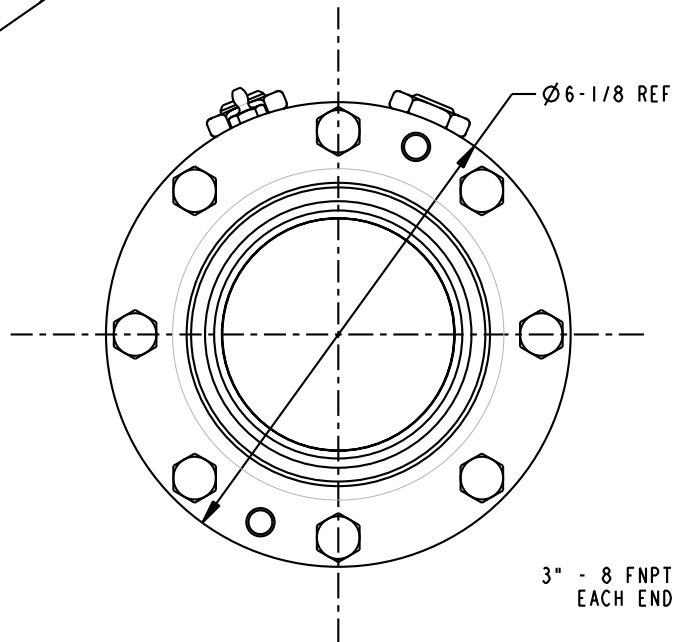
D

THIS DRAWING IS NOT TO BE SCALED. FOR ADDITIONAL INFORMATION, PLEASE CONTACT OUR ENGINEERING DEPT.

REVISIONS					
LTR	ECN #	DESCRIPTION	DRAWN	APPROVED	DATE
REL	41360	INITIAL RELEASE	SCK	NAC	10/13/03



SCALE 0.350



NOTES:

- 1. AIR TEST @ 5 psi & 70 psi, OR HYDROSTATIC TEST PER CUSTOMER SPECIFICATION.
- 2. MAXIMUM PRESSURE 500 psi.

<b>CONFIDENTIAL</b> THIS DOCUMENT CONTAINS INFORMATION WHICH IS PROPRIETARY TO OPW, AND SHOULD BE PROTECTED ACCORDINGLY.			DESCRIPTION: SWIVEL, 3" DSF STYLE 20		
UNLESS OTHERWISE SPECIFIED TOLERANCES ON DIMENSIONS		SIGNATURES		MO-DA-YR	
3 DECIMALS +/- 0.005		DRAWN: SCK		09/25/03	
2 DECIMALS +/- 0.015		CHECKED: NAC		10/13/03	
1 DECIMAL +/- 0.030		MATERIAL:		WEIGHT: 29.5 lbs.	
ANGLES +/- 1/2 DEG				REV: REL	
MACHINED SURFACES 125 RMS MAX				SIZE: C	
			PART NUMBER: 08X20-03XX		
			SCALE: 0.600 SHEET 1 OF 1		
			<b>Engineered Systems</b> A <b>DOVER</b> Resources Company Lebanon, Ohio 45036 USA 3D GENERATED DRAWING		

A

B

C

D