

A

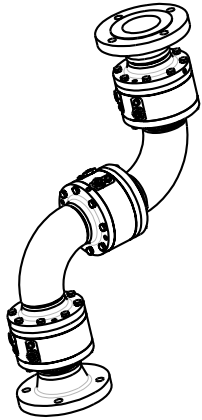
B

C

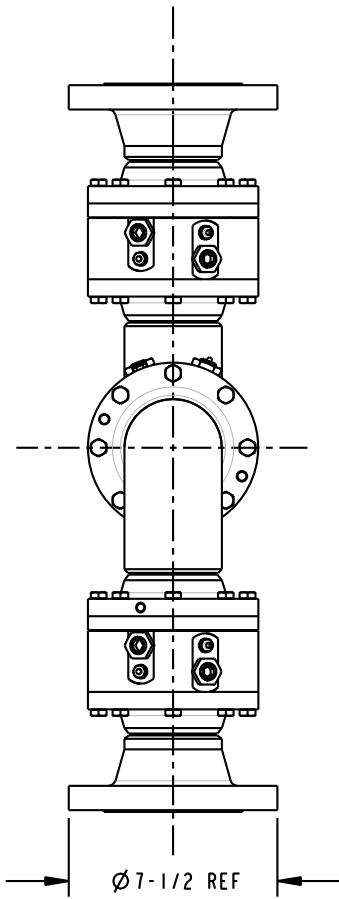
D

THIS DRAWING IS NOT TO BE SCALED. FOR ADDITIONAL INFORMATION, PLEASE CONTACT OUR ENGINEERING DEPT.

REVISIONS					
LTR	ECN #	DESCRIPTION	DRAWN	APPROVED	DATE
REL	41360	INITIAL RELEASE	SCK	NAC	10/13/03



SCALE 0.100

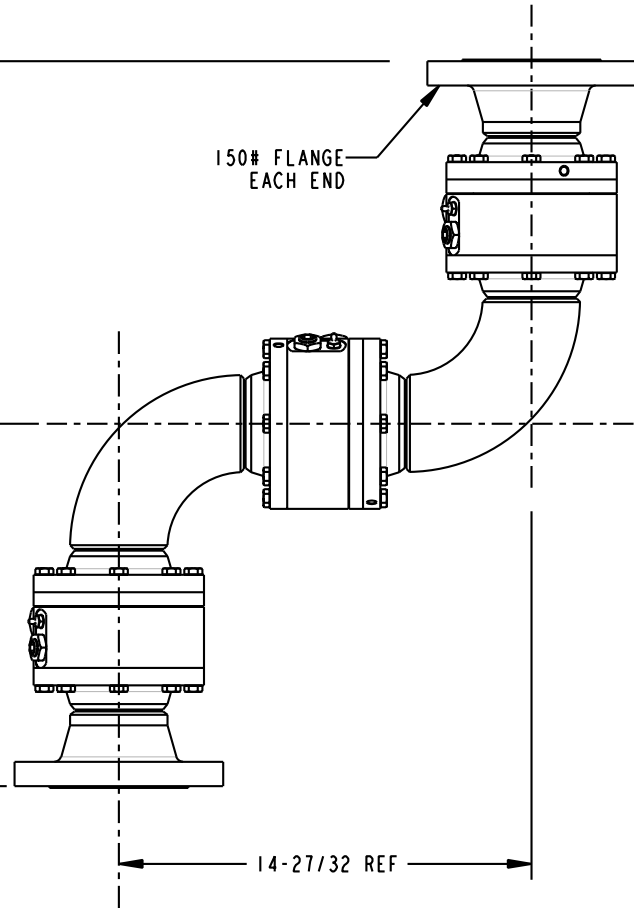


Ø7-1/2 REF

26-3/32 REF

13-1/32 REF

150# FLANGE EACH END



14-27/32 REF

NOTES:

1. AIR TEST @ 5 psi & 70 psi, OR HYDROSTATIC TEST PER CUSTOMER SPECIFICATION.
2. MAXIMUM PRESSURE 500 psi.

CONFIDENTIAL THIS DOCUMENT CONTAINS INFORMATION WHICH IS PROPRIETARY TO OPW, AND SHOULD BE PROTECTED ACCORDINGLY.

DESCRIPTION:

SWIVEL, 3" DSF STYLE 10F

UNLESS OTHERWISE SPECIFIED

TOLERANCES ON DIMENSIONS

3 DECIMALS +/- 0.005

2 DECIMALS +/- 0.015

1 DECIMAL +/- 0.030

ANGLES +/- 1/2 DEG

MACHINED SURFACES 125 RMS MAX

SIGNATURES

DRAWN: SCK

CHECKED: NAC

MATERIAL:

MO-DA-YR

09/26/03

10/13/03

WEIGHT: 106 lbs.

REV: REL

SIZE: C

PART NUMBER:

08X10F-03XX

SCALE: 0.220

SHEET 1 OF 1

OPW Engineered Systems
 A DOVER Resources Company
 Lebanon, Ohio 45036 USA

3D GENERATED DRAWING

A

B

C

D