

A

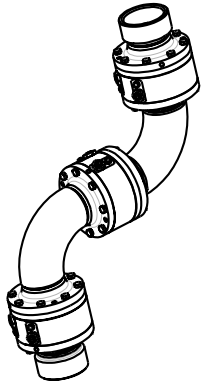
B

C

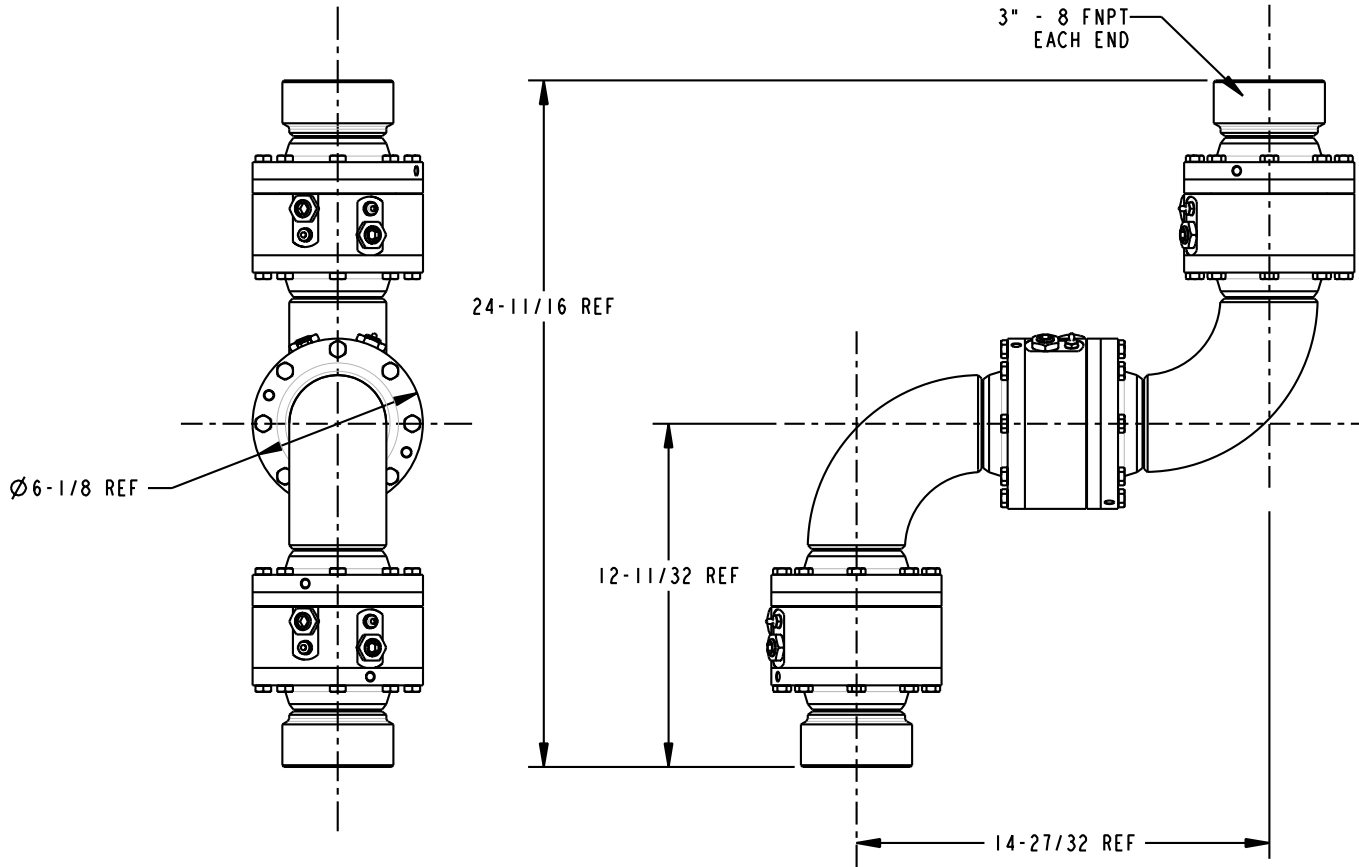
D

THIS DRAWING IS NOT TO BE SCALED. FOR ADDITIONAL INFORMATION, PLEASE CONTACT OUR ENGINEERING DEPT.

REVISIONS					
LTR	ECN #	DESCRIPTION	DRAWN	APPROVED	DATE
REL	41360	INITIAL RELEASE	SCK	NAC	10/13/03



SCALE 0.100



NOTES:

1. AIR TEST @ 5 psi & 70 psi, OR HYDROSTATIC TEST PER CUSTOMER SPECIFICATION.
2. MAXIMUM PRESSURE 500 psi.

CONFIDENTIAL THIS DOCUMENT CONTAINS INFORMATION WHICH IS PROPRIETARY TO OPW, AND SHOULD BE PROTECTED ACCORDINGLY.				DESCRIPTION: SWIVEL, 3" DSF STYLE 10	
UNLESS OTHERWISE SPECIFIED TOLERANCES ON DIMENSIONS 3 DECIMALS +/- 0.005 2 DECIMALS +/- 0.015 1 DECIMAL +/- 0.030 ANGLES +/- 1/2 DEG MACHINED SURFACES 125 RMS MAX		SIGNATURES	MO-DA-YR	REV.	PART NUMBER:
		DRAWN: SCK	09/26/03	REL	08X10-03XX
		CHECKED: NAC	10/13/03	SIZE: C	SCALE: 0.220
		MATERIAL:	WEIGHT: 88.5 lbs.		SHEET 1 OF 1
				OPW Engineered Systems A DOVER Resources Company Lebanon, Ohio 45036 USA 3D GENERATED DRAWING	

A

B

C

D