

A

B

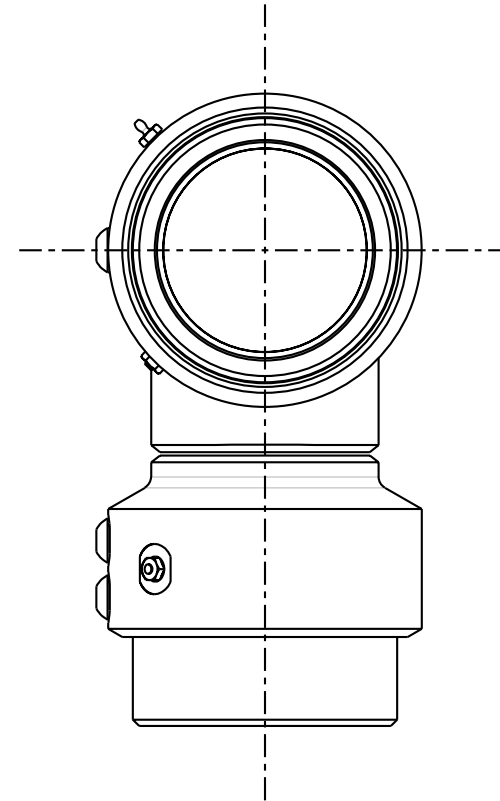
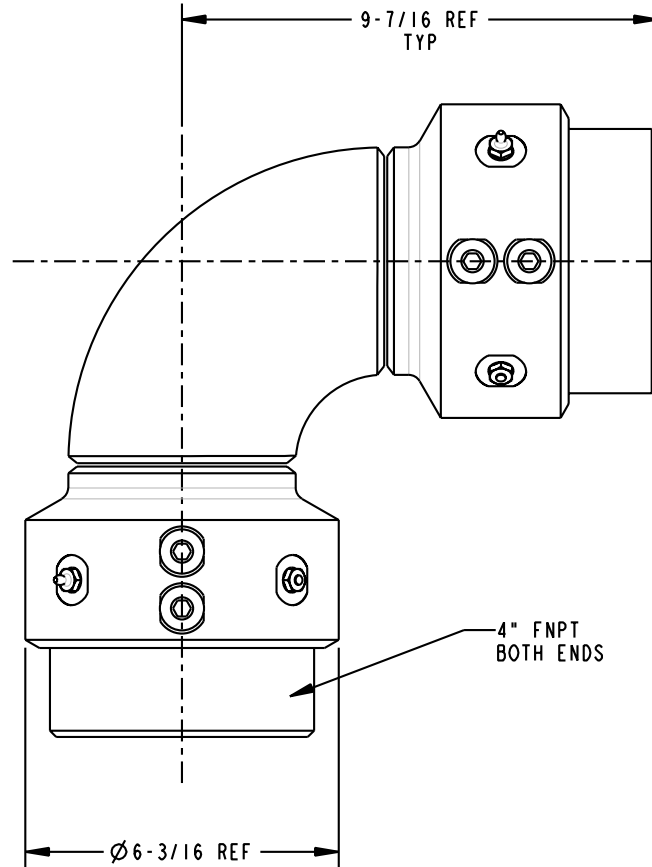
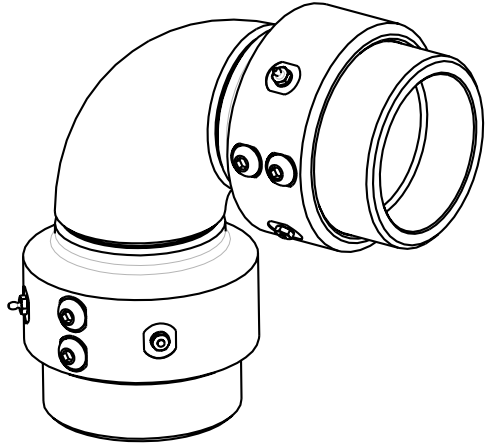
C

D

THIS DRAWING IS NOT TO BE SCALED. FOR ADDITIONAL INFORMATION, PLEASE CONTACT OUR ENGINEERING DEPT.

REVISIONS

LTR	ECN #	DESCRIPTION	DRAWN	APPROVED	DATE
-	-	-	-	-	-



CONFIDENTIAL THIS DOCUMENT CONTAINS INFORMATION WHICH IS PROPRIETARY TO OPW, AND SHOULD BE PROTECTED ACCORDINGLY.

DESCRIPTION:

4" SWIVEL, CST, STYLE 60

SIGNATURES		MO-DA-YR	REV:
DRAWN: SCK		06/19/09	-
CHECKED:			SIZE:
MATERIAL: CST		WEIGHT:	C

PART NUMBER:
3460-040X
SCALE: 0.400

OPW Engineered Systems
 A **DOVER** Resources Company
 Lebanon, Ohio 45036 USA

3D GENERATED DRAWING

A

B

C

D

1

1

2

2

3

3

4

4