

A

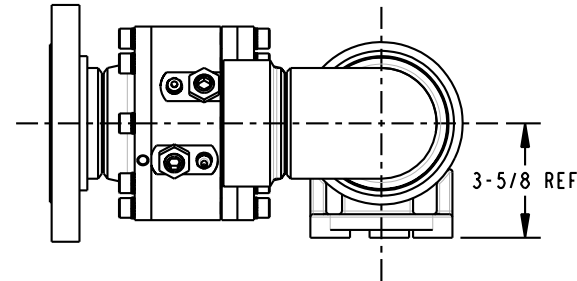
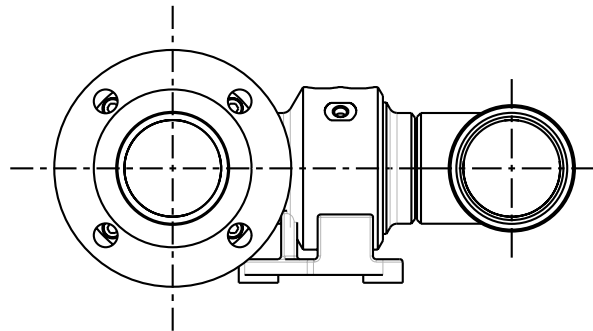
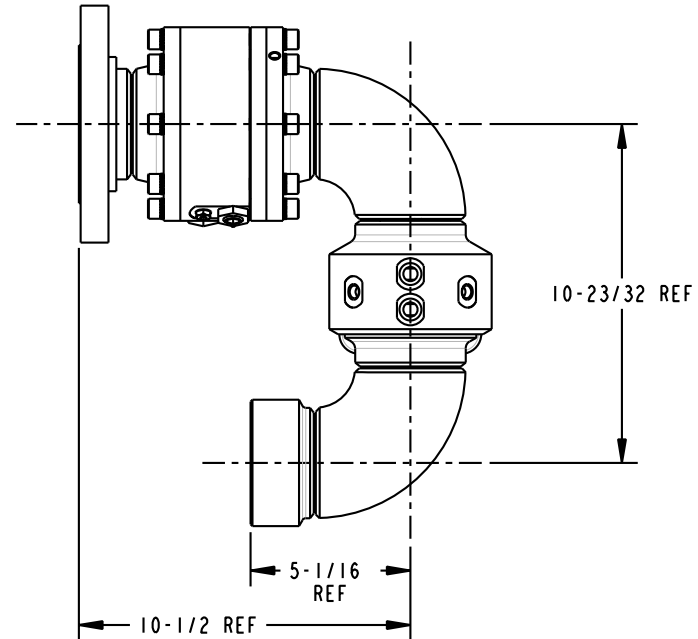
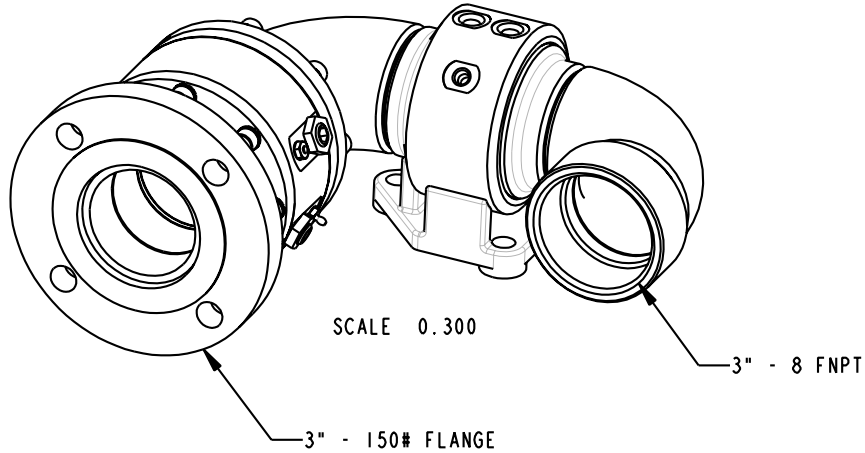
B

C

D

THIS DRAWING IS NOT TO BE SCALED. FOR ADDITIONAL INFORMATION, PLEASE CONTACT OUR ENGINEERING DEPT.

REVISIONS				DRAWN	APPROVED	DATE
LTR	ECN #	DESCRIPTION				
-	-	-	-	-	-	-



<b>CONFIDENTIAL</b> THIS DOCUMENT CONTAINS INFORMATION WHICH IS PROPRIETARY TO OPW, AND SHOULD BE PROTECTED ACCORDINGLY.		DESCRIPTION: 3" SWIVEL, CST, SPECIAL SPRING BALANCE	
SIGNATURES		MO-DA-YR	REV:
DRAWN: SCK		09/05/07	-
CHECKED:			SIZE: C
MATERIAL: CST		WEIGHT:	PART NUMBER: <b>3456DFO-03XX</b>
			SCALE: 0.250 SHEET 1 OF 1

**OPW** Engineered Systems  
 A **DOVER** Resources Company  
 Lebanon, Ohio 45036 USA

3D GENERATED DRAWING

A

B

C

D