

A

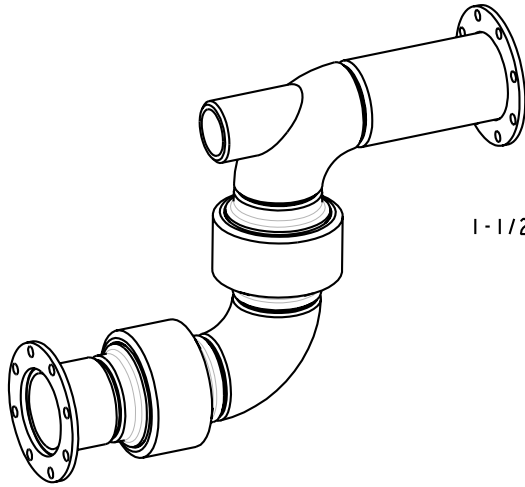
B

C

D

THIS DRAWING IS NOT TO BE SCALED. FOR ADDITIONAL INFORMATION, PLEASE CONTACT OUR ENGINEERING DEPT.

REVISIONS				DRAWN	APPROVED	DATE
LTR	ECN #	DESCRIPTION				
-	-	-	-	-	-	-



SCALE 0.200

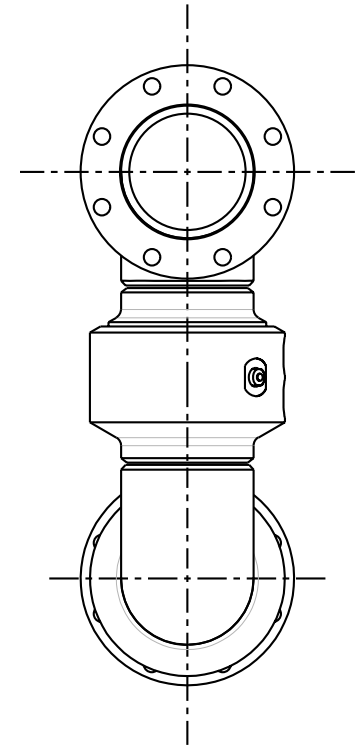
1-1/2" - 11-1/2" FNPT

3" TTMA FLANGE BOTH ENDS

10-13/32 REF

19-29/32 REF

10-23/32 REF



CONFIDENTIAL THIS DOCUMENT CONTAINS INFORMATION WHICH IS PROPRIETARY TO OPW, AND SHOULD BE PROTECTED ACCORDINGLY.

DESCRIPTION:

3" SWIVEL, CST

UNLESS OTHERWISE SPECIFIED

TOLERANCES ON DIMENSIONS

3 DECIMALS +/- 0.005

2 DECIMALS +/- 0.015

1 DECIMAL +/- 0.030

ANGLES +/- 1/2 DEG

MACHINED SURFACES 125 RMS MAX

SIGNATURES

DRAWN: SCK

CHECKED: -

MATERIAL: CST

MO-DA-YR

08/31/07

WEIGHT: -

REV: -

SIZE: C

PART NUMBER:

3455FT-030X

SCALE: 0.300

SHEET 1 OF 1

OPW Engineered Systems  
A DOVER Resources Company  
Lebanon, Ohio 45036 USA

3D GENERATED DRAWING

A

B

C

D

1

1

2

2

3

3

4

4