

A

B

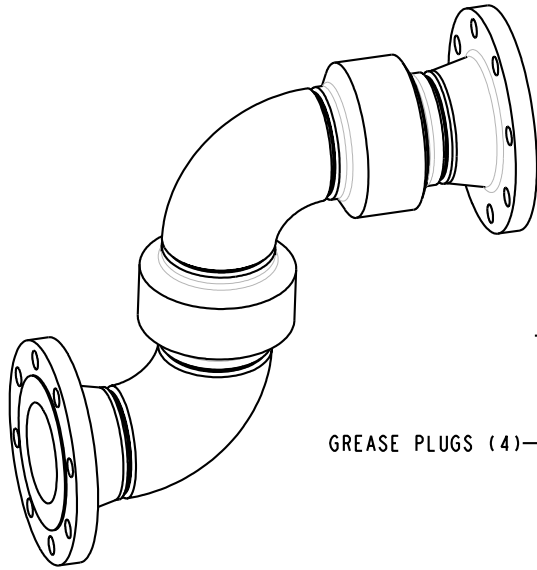
C

D

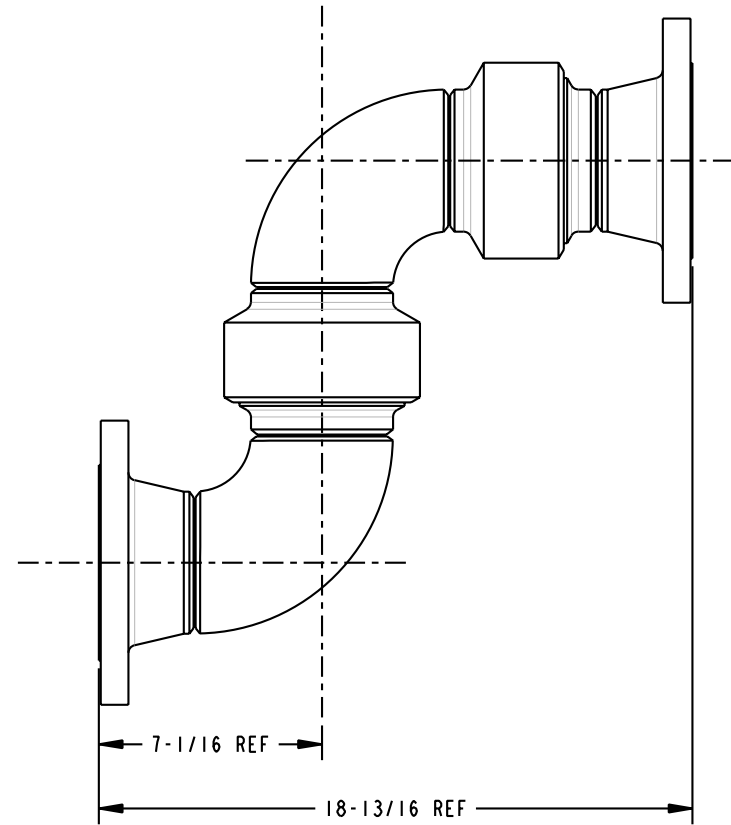
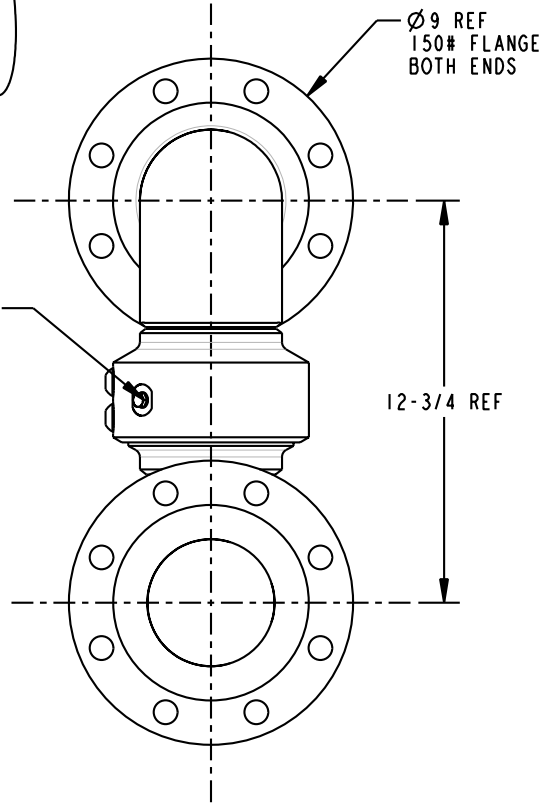
THIS DRAWING IS NOT TO BE SCALED. FOR ADDITIONAL INFORMATION, PLEASE CONTACT OUR ENGINEERING DEPT.

REVISIONS

LTR	ECN #	DESCRIPTION	DRAWN	APPROVED	DATE
-	-	-	-	-	-



GREASE PLUGS (4)



NOTE: BUILT WITH SST BALL BEARINGS

CONFIDENTIAL THIS DOCUMENT CONTAINS INFORMATION WHICH IS PROPRIETARY TO OPW, AND SHOULD BE PROTECTED ACCORDINGLY.

DESCRIPTION: 4" SWIVEL, CST, SBMR 'G SERVICE

SIGNATURES		MO-DA-YR	REV:	PART NUMBER:		Engineered Systems A DOVER Resources Company Lebanon, Ohio 45036 USA
DRAWN:	SCK	05/18/10	-	3450FJ-04XX		
CHECKED:	-	-	SIZE:	C		SCALE: 0.250 SHEET 1 OF 1
MATERIAL:	CST	WEIGHT:	-	3D GENERATED DRAWING		

A

B

C

D