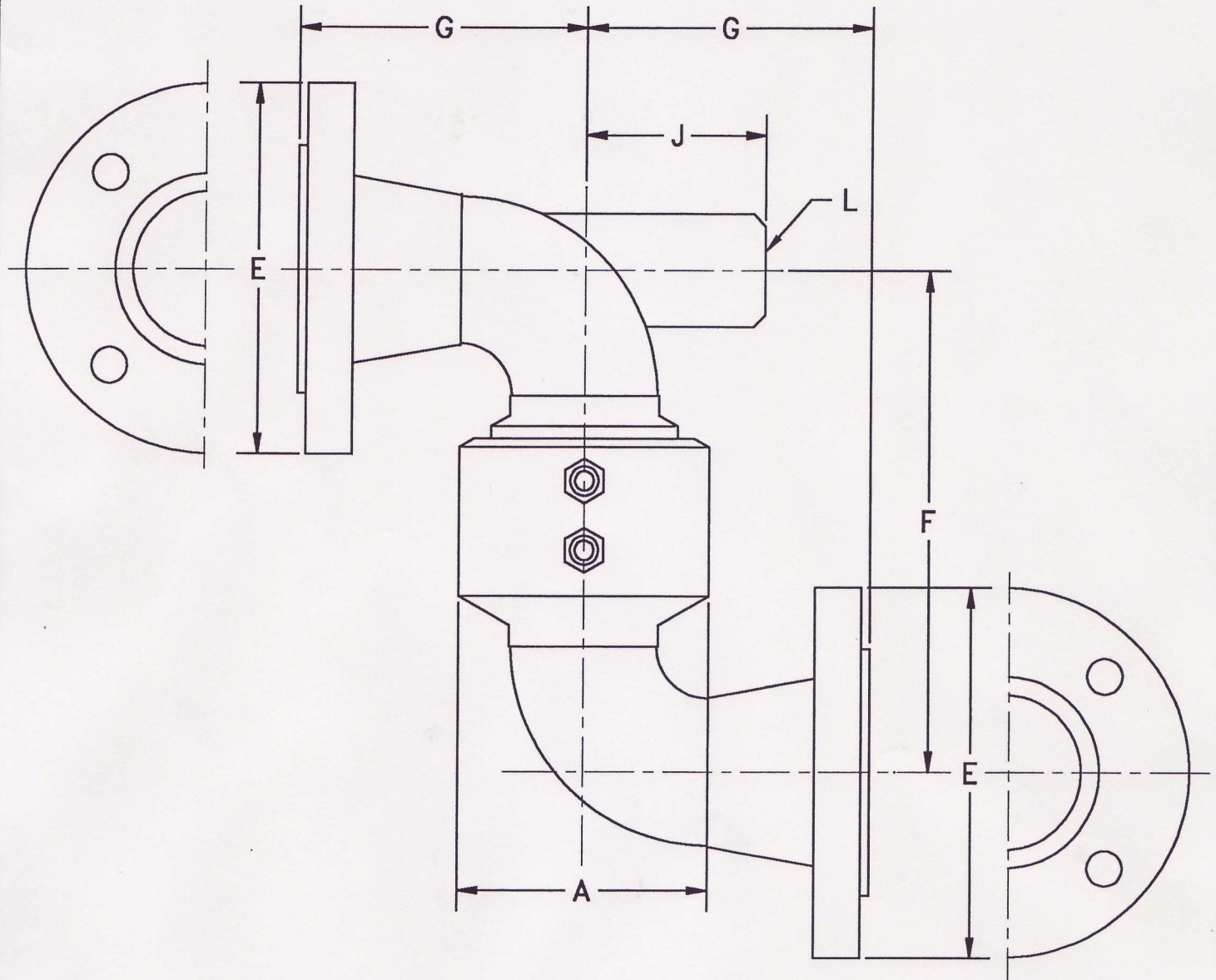


OPW Engineered Systems

ISO 9001 CERTIFIED

MATERIAL:
CARBON STEEL
STAINLESS STEEL

STYLE 45F SWIVEL JOINT—FABRICATED



SIZE	2"	3"	4"
A	4-3/32"	5-1/8"	6-7/32"
C	2-7/8"	4"	5-1/8"
F	8-1/8"	10-3/4"	12-3/4"
G	4-9/16"	5-13/16"	7-1/16"
J	2-9/16"	2-15/16"	3-1/2"
L	1-1/4"	1-1/2"	2"
∅ BOLT CIRCLE	4-3/4"	6"	7-1/2"
NO. BOLTS - ∅	(4) 5/8"	(4) 5/8"	(8) 5/8"