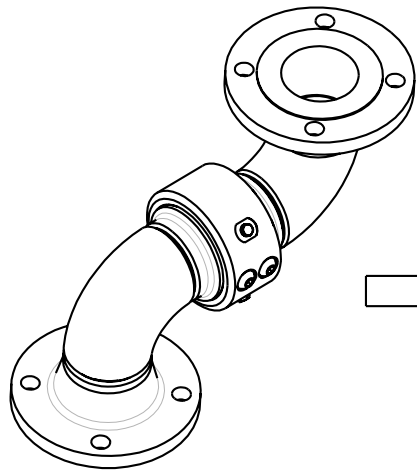
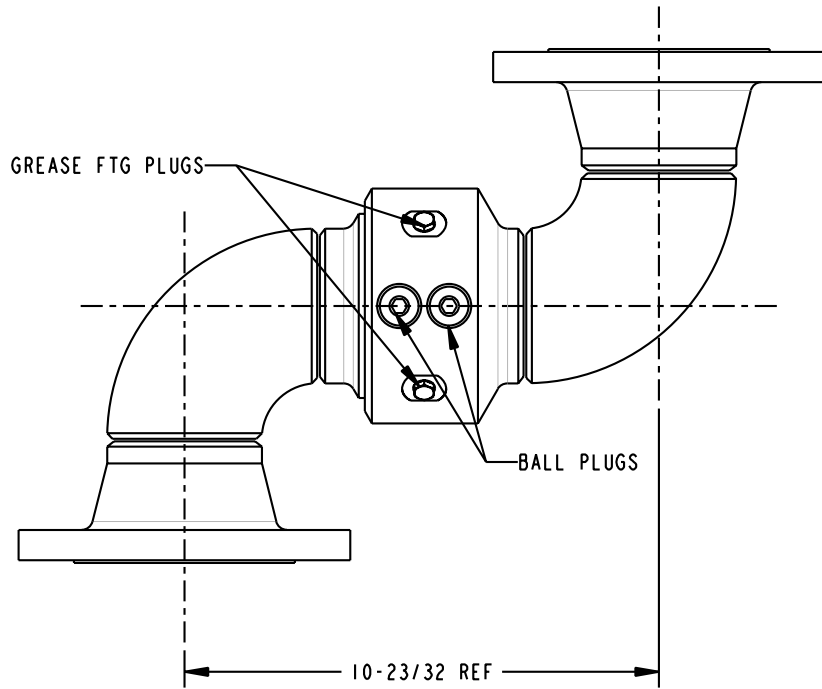
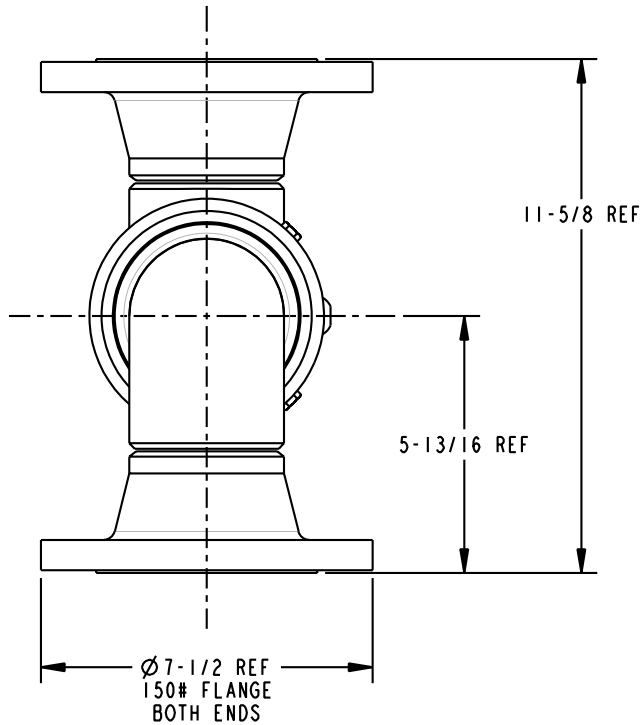


THIS DRAWING IS NOT TO BE SCALED. FOR ADDITIONAL INFORMATION. PLEASE CONTACT OUR ENGINEERING DEPT.

REVISIONS				DRAWN	APPROVED	DATE
LTR	ECN #	DESCRIPTION				
-	-	-	-	-	-	-



SCALE 0.200



CONFIDENTIAL THIS DOCUMENT CONTAINS INFORMATION WHICH IS PROPRIETARY TO OPW, AND SHOULD BE PROTECTED ACCORDINGLY.		DESCRIPTION: 3" SWIVEL, 40FJ, SST, VITON, SBM'G SERVICE	
UNLESS OTHERWISE SPECIFIED TOLERANCES ON DIMENSIONS 3 DECIMALS +/- 0.005 2 DECIMALS +/- 0.015 1 DECIMAL +/- 0.030 ANGLES +/- 1/2 DEG MACHINED SURFACES 125 RMS MAX	SIGNATURES DRAWN: SCK CHECKED: - MATERIAL: -	MO-DA-YR 06/27/07	REV: - PART NUMBER: 3940FJ-0302 SCALE: 0.350
		SIZE: C	SHEET 1 OF 1
		3D GENERATED DRAWING	

OPW Engineered Systems
A **DOVER** Resources Company
Lebanon, Ohio 45036 USA