

A

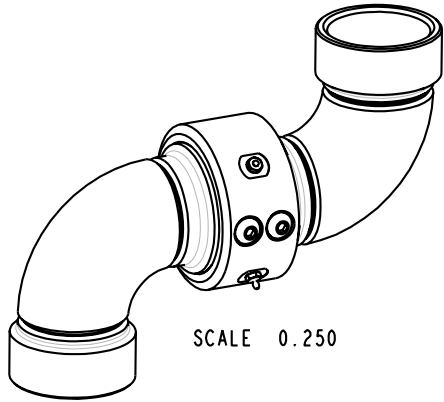
B

C

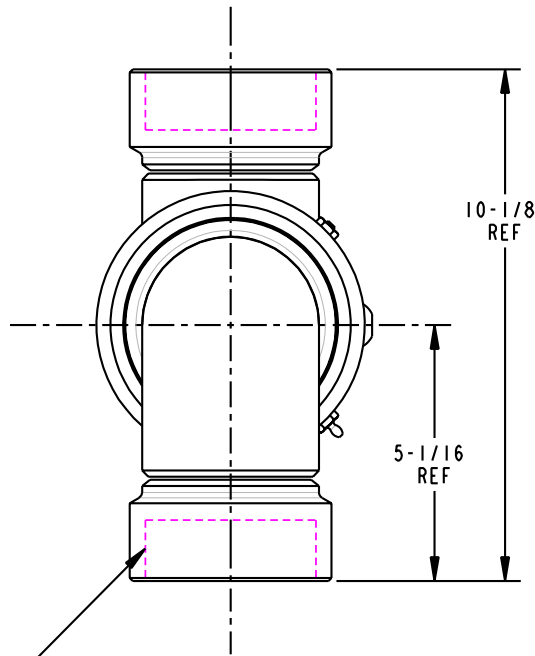
D

THIS DRAWING IS NOT TO BE SCALED. FOR ADDITIONAL INFORMATION, PLEASE CONTACT OUR ENGINEERING DEPT.

REVISIONS					
LTR	ECN #	DESCRIPTION	DRAWN	APPROVED	DATE
-	-	-	-	-	-



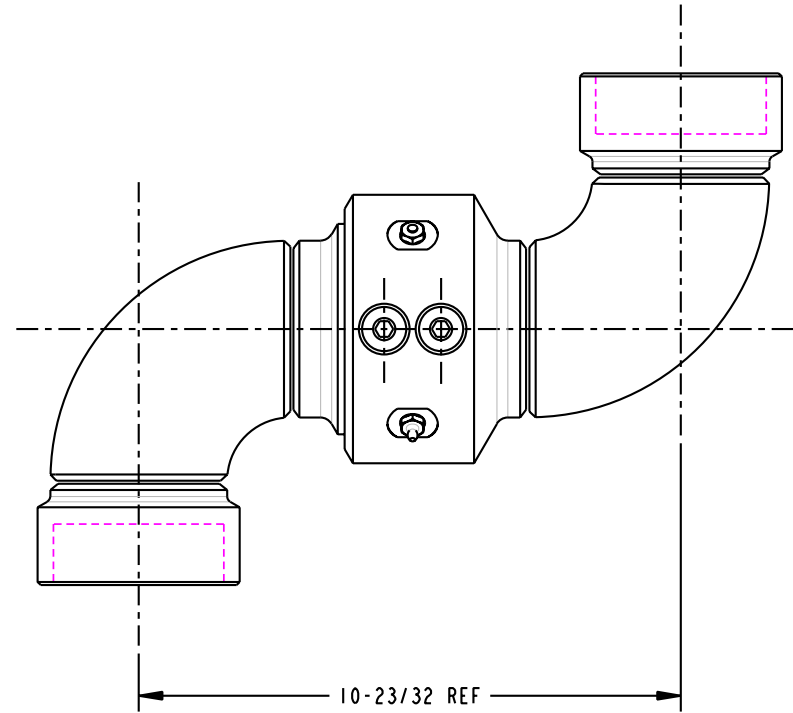
SCALE 0.250



10-1/8 REF

5-1/16 REF

3" - 8 FNPT  
BOTH ENDS



10-23/32 REF

**CONFIDENTIAL** THIS DOCUMENT CONTAINS INFORMATION WHICH IS PROPRIETARY TO OPW, AND SHOULD BE PROTECTED ACCORDINGLY.

DESCRIPTION: 3" SWIVEL, SST, VITON FNPT

SIGNATURES		MO-DA-YR	REV:
DRAWN: SCK		08/27/07	-
CHECKED:			SIZE: C
MATERIAL: SST		WEIGHT:	

PART NUMBER:	SCALE: 0.400	SHEET 1 OF 1
<b>3940-0302</b>		

**OPW** Engineered Systems  
 A **DOVER** Resources Company  
 Lebanon, Ohio 45036 USA

3D GENERATED DRAWING

A

B

C

D