

A

B

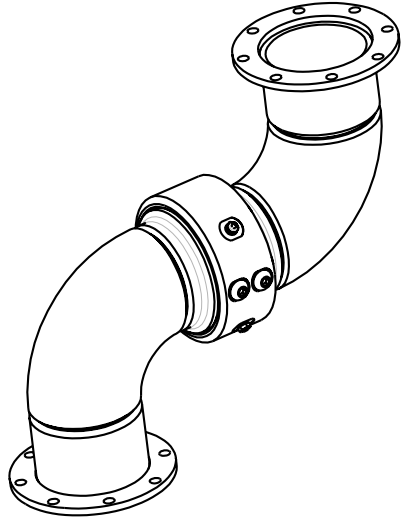
C

D

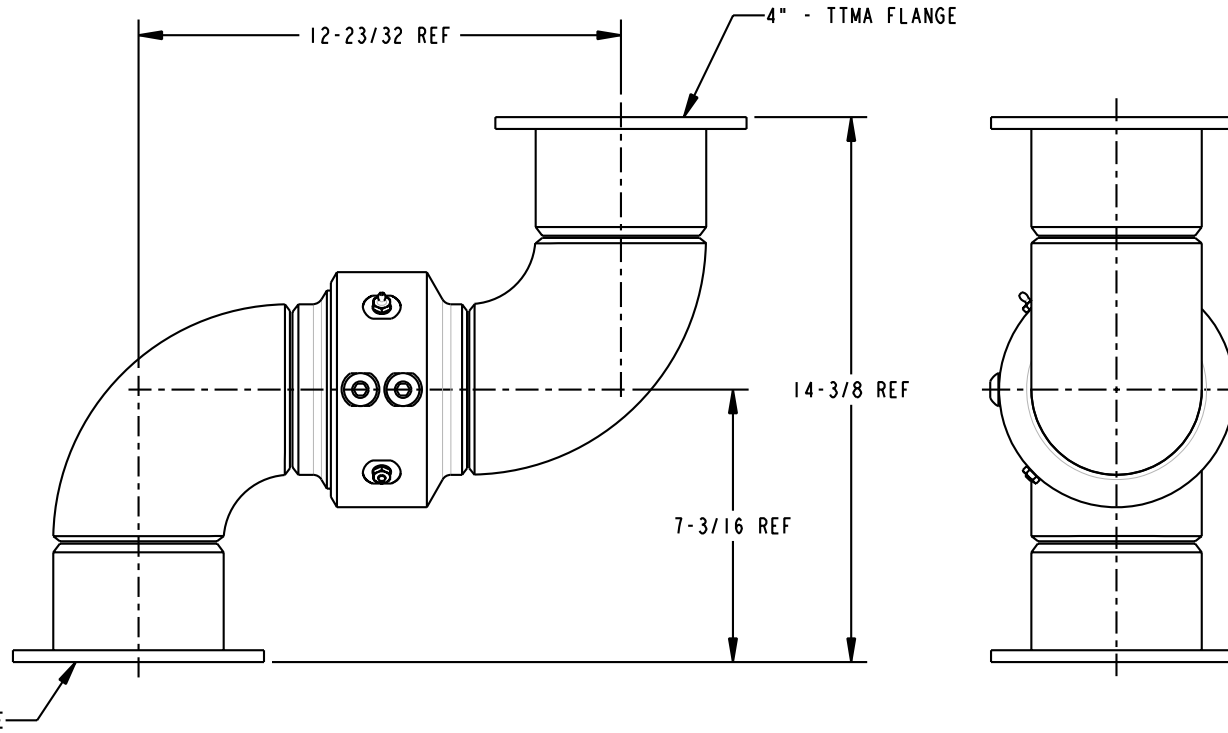
THIS DRAWING IS NOT TO BE SCALED. FOR ADDITIONAL INFORMATION, PLEASE CONTACT OUR ENGINEERING DEPT.

REVISIONS

LTR	ECN #	DESCRIPTION	DRAWN	APPROVED	DATE
REL	-	-	JPR		08-26-09



SCALE 0.200



CONFIDENTIAL THIS DOCUMENT CONTAINS INFORMATION WHICH IS PROPRIETARY TO OPW, AND SHOULD BE PROTECTED ACCORDINGLY.

DESCRIPTION: 4" SWIVEL, CST, STYLE 40, TTMA FLG

SIGNATURES		MO-DA-YR	REV: REL SIZE: C
DRAWN:	JPR	08-26-09	
CHECKED:	-	-	
MATERIAL:	CST	WEIGHT:	

PART NUMBER:	3440FT-04XX
SCALE: 0.300	

OPW **Engineered Systems**
 A **DOVER** Resources Company
 Lebanon, Ohio 45036 USA

3D GENERATED DRAWING

A

B

C

D