

A

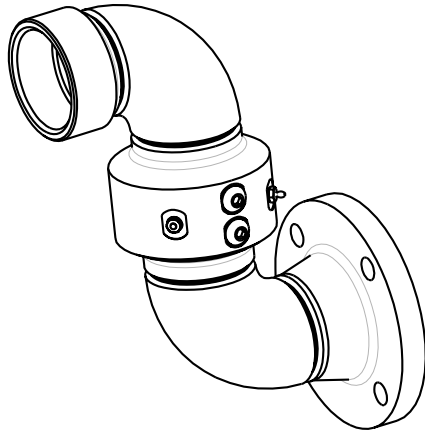
B

C

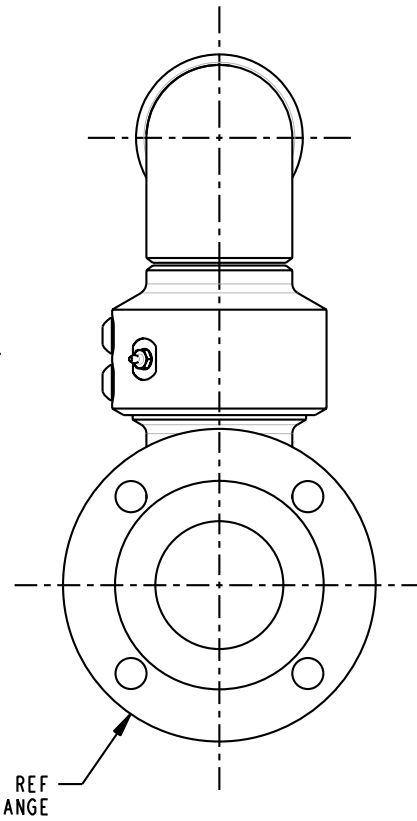
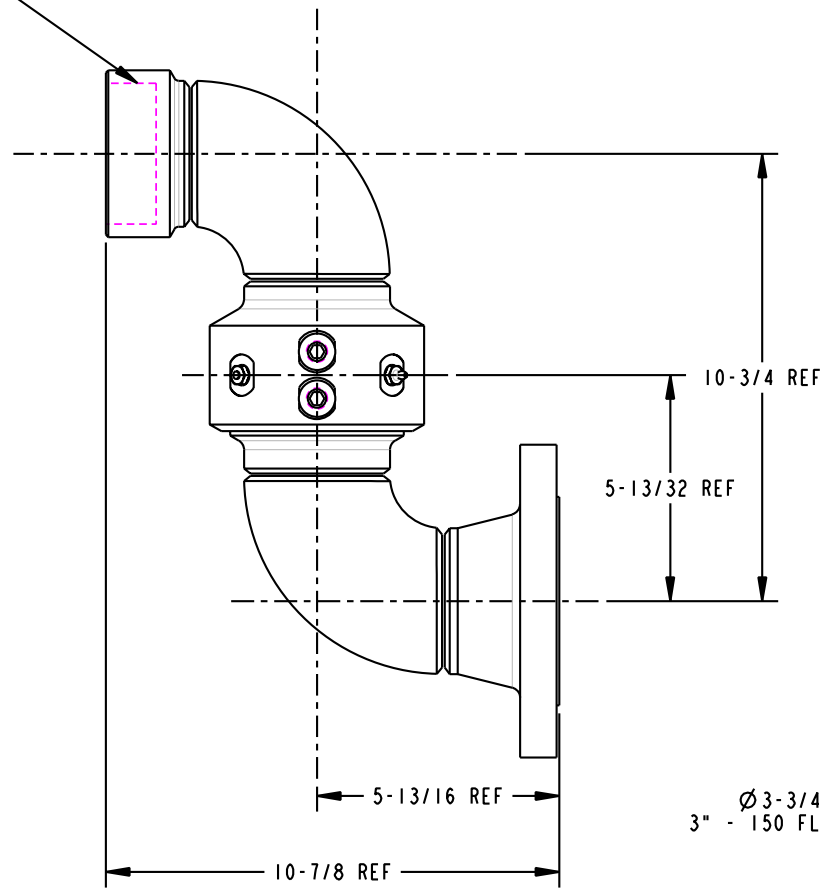
D

THIS DRAWING IS NOT TO BE SCALED. FOR ADDITIONAL INFORMATION, PLEASE CONTACT OUR ENGINEERING DEPT.

| REVISIONS | | | | DRAWN | APPROVED | DATE |
|-----------|-------|-------------|---|-------|----------|------|
| LTR | ECN # | DESCRIPTION | | | | |
| - | - | - | - | - | - | - |



3" FNPT



Ø 3-3/4 REF
3" - 150 FLANGE

CONFIDENTIAL THIS DOCUMENT CONTAINS INFORMATION WHICH IS PROPRIETARY TO OPW, AND SHOULD BE PROTECTED ACCORDINGLY.

DESCRIPTION: 3" SWIVEL, CST, STYLE 40FO

UNLESS OTHERWISE SPECIFIED
 TOLERANCES ON DIMENSIONS
 3 DECIMALS +/- 0.005
 2 DECIMALS +/- 0.015
 1 DECIMAL +/- 0.030
 ANGLES +/- 1/2 DEG
 MACHINED SURFACES 125 RMS MAX

| | | | |
|---------------|---------|----------|------|
| SIGNATURES | | MO-DA-YR | REV: |
| DRAWN: SCK | | 08/27/09 | - |
| CHECKED: | | | |
| MATERIAL: CST | WEIGHT: | | |

| | |
|--------------------|--------------|
| PART NUMBER: | |
| 3440FO-03XX | |
| SCALE: 0.330 | SHEET 1 OF 1 |

OPW Engineered Systems
 A **DOVER** Resources Company
 Lebanon, Ohio 45036 USA

3D GENERATED DRAWING

A

B

C

D