

A

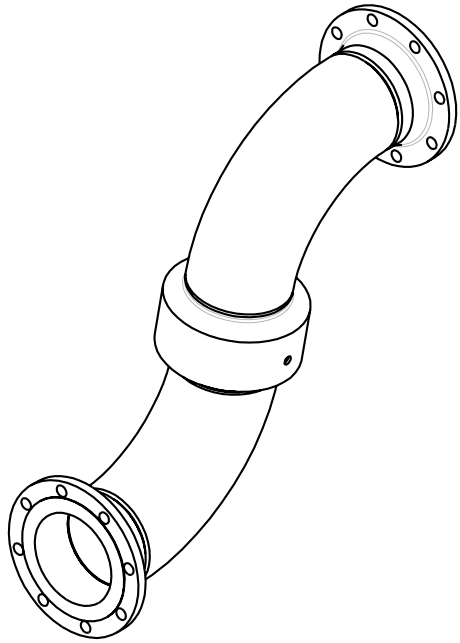
B

C

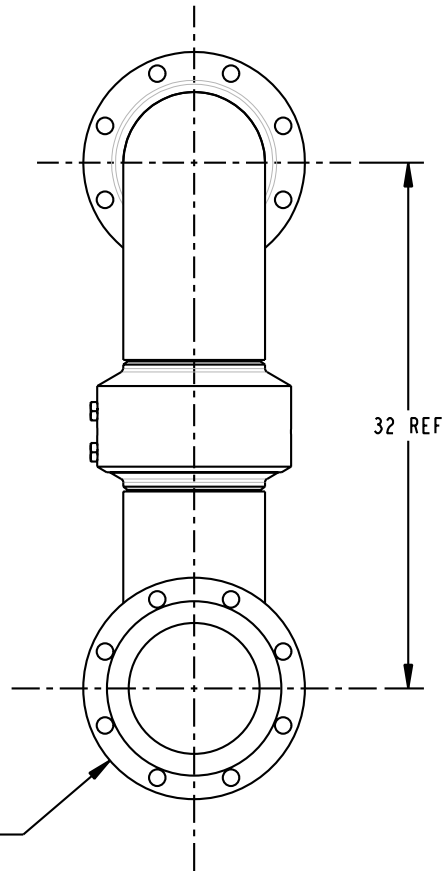
D

THIS DRAWING IS NOT TO BE SCALED. FOR ADDITIONAL INFORMATION, PLEASE CONTACT OUR ENGINEERING DEPT.

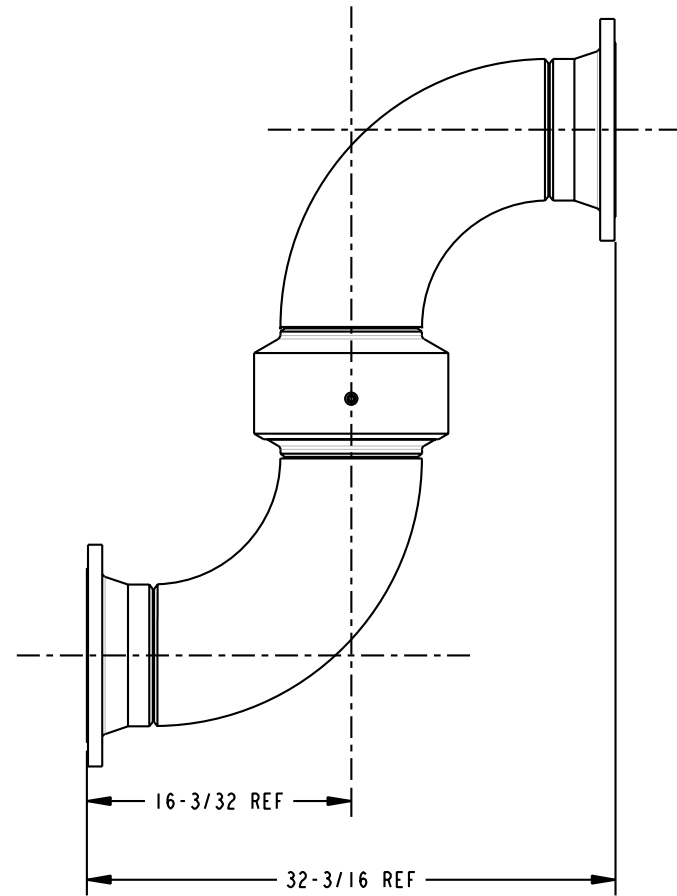
REVISIONS					
LTR	ECN #	DESCRIPTION	DRAWN	APPROVED	DATE
-	-	-	-	-	-



SCALE 0.100



$\varnothing 13-1/2$ REF
 8" - 150# FLANGE
 BOTH ENDS



CONFIDENTIAL THIS DOCUMENT CONTAINS INFORMATION WHICH IS PROPRIETARY TO OPW, AND SHOULD BE PROTECTED ACCORDINGLY.			DESCRIPTION: 8" SWIVEL, CST, BUNA, SBMR 'G SERVICE		
UNLESS OTHERWISE SPECIFIED TOLERANCES ON DIMENSIONS 3 DECIMALS +/- 0.005 2 DECIMALS +/- 0.015 1 DECIMAL +/- 0.030 ANGLES +/- 1/2 DEG MACHINED SURFACES 125 RMS MAX		SIGNATURES DRAWN: SCK CHECKED: - MATERIAL: CST		MO-DA-YR 07/27/07	
		REV: -		PART NUMBER: 3440FJ-0801	
		SIZE: C		SCALE: 0.130 SHEET 1 OF 1	
			3D GENERATED DRAWING		

A

B

C

D