

A

B

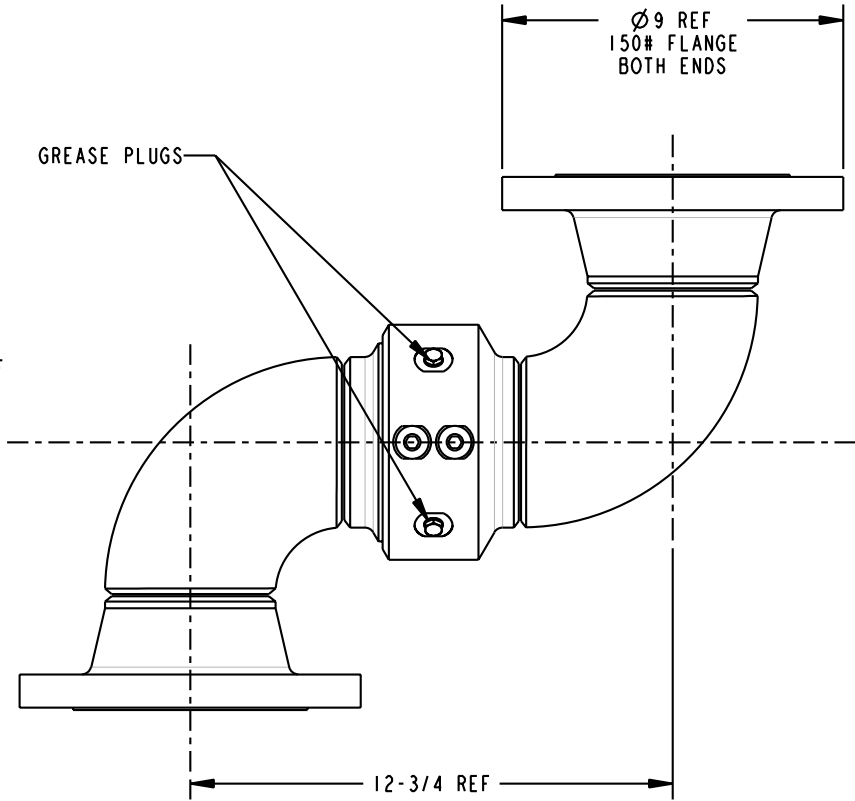
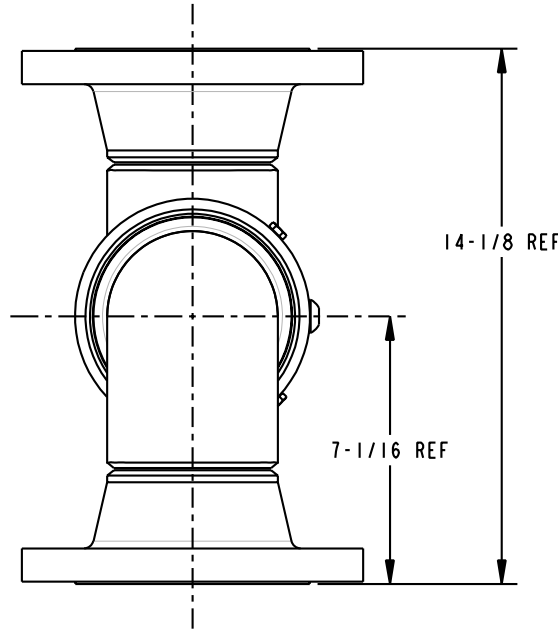
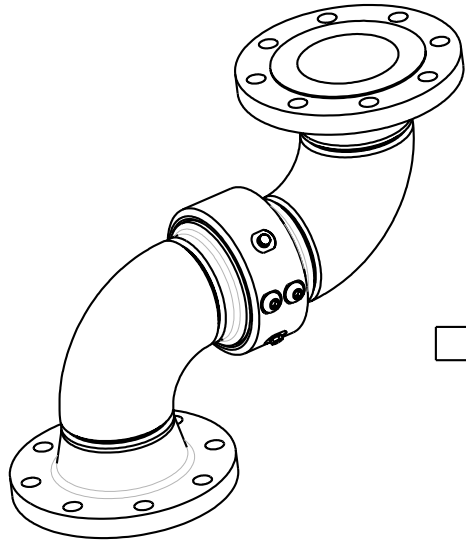
C

D

THIS DRAWING IS NOT TO BE SCALED. FOR ADDITIONAL INFORMATION. PLEASE CONTACT OUR ENGINEERING DEPT.

REVISIONS

LTR	ECN #	DESCRIPTION	DRAWN	APPROVED	DATE
-	-	-	-	-	-



GREASE PLUGS

Ø9 REF
150# FLANGE
BOTH ENDS

14-1/8 REF

7-1/16 REF

12-3/4 REF

NOTE: BUILT WITH SST BALL BEARINGS

CONFIDENTIAL THIS DOCUMENT CONTAINS INFORMATION WHICH IS PROPRIETARY TO OPW, AND SHOULD BE PROTECTED ACCORDINGLY.

DESCRIPTION: 4" SWIVEL, CST, SBMR 'G SERVICE

SIGNATURES		MO-DA-YR	REV:
DRAWN:	SCK	05/18/10	-
CHECKED:	-	-	-
MATERIAL:	CST	WEIGHT:	-

PART NUMBER:	3440FJ-04XX
SCALE:	0.300
SHEET	1 OF 1

OPW Engineered Systems
 A **DOVER** Resources Company
 Lebanon, Ohio 45036 USA

3D GENERATED DRAWING

A

B

C

D