

A

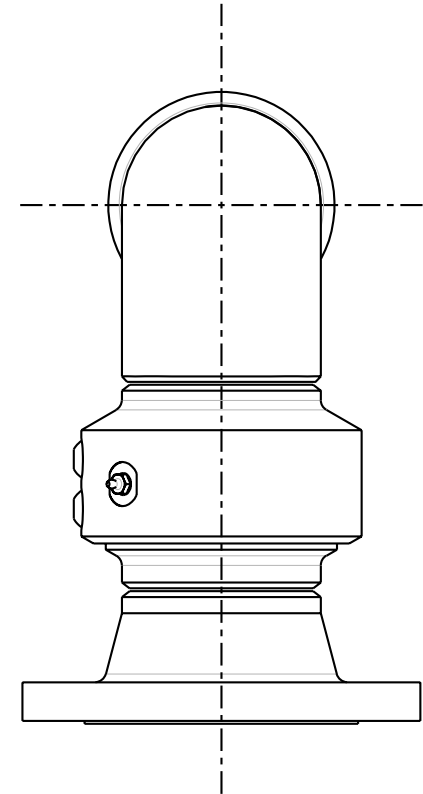
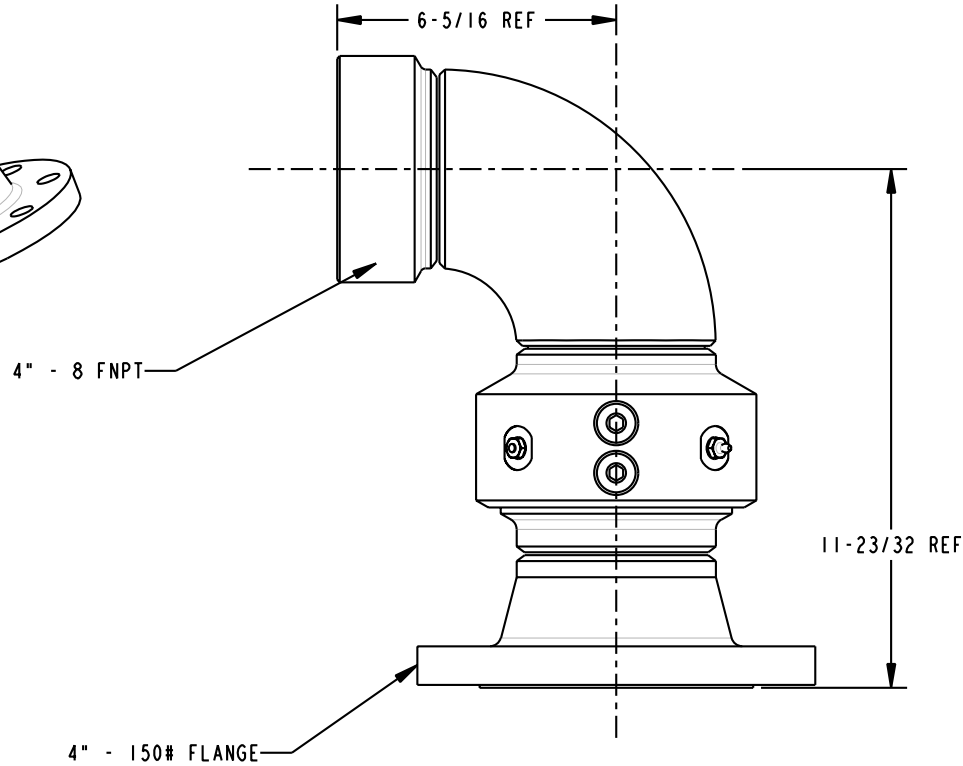
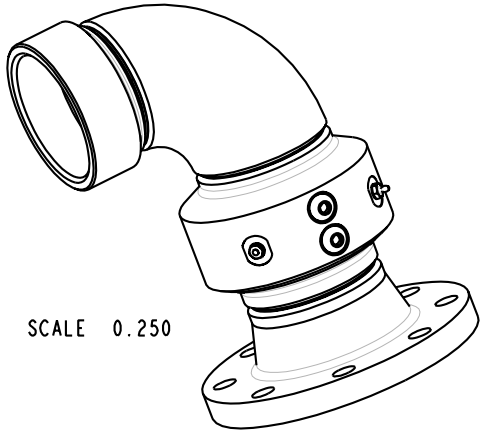
B

C

D

THIS DRAWING IS NOT TO BE SCALED. FOR ADDITIONAL INFORMATION, PLEASE CONTACT OUR ENGINEERING DEPT.

REVISIONS					
LTR	ECN #	DESCRIPTION	DRAWN	APPROVED	DATE
-	-	-	-	-	-



CONFIDENTIAL THIS DOCUMENT CONTAINS INFORMATION WHICH IS PROPRIETARY TO OPW, AND SHOULD BE PROTECTED ACCORDINGLY.		DESCRIPTION: 4" SWIVEL, SST, VITON, 150 FLG X FNPT	
UNLESS OTHERWISE SPECIFIED TOLERANCES ON DIMENSIONS 3 DECIMALS +/- 0.005 2 DECIMALS +/- 0.015 1 DECIMAL +/- 0.030 ANGLES +/- 1/2 DEG MACHINED SURFACES 125 RMS MAX	SIGNATURES	MO-DA-YR	REV:
	DRAWN: SCK	08/27/07	-
	CHECKED:		SIZE: C
	MATERIAL: SST	WEIGHT:	PART NUMBER: 3930FO-0402
			SCALE: 0.350 SHEET 1 OF 1

OPW Engineered Systems
A **DOVER** Resources Company
Lebanon, Ohio 45036 USA

3D GENERATED DRAWING

A

B

C

D