

A

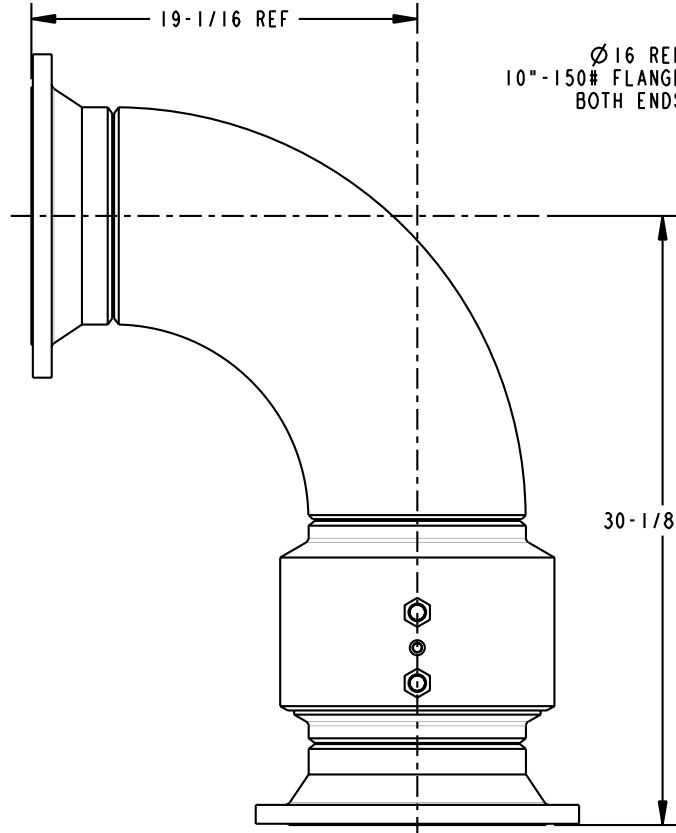
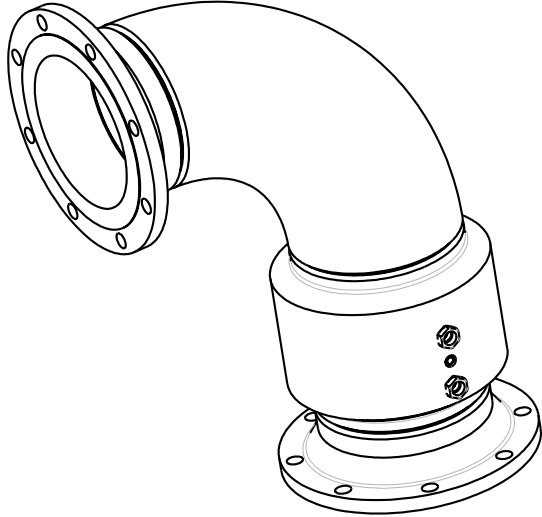
B

C

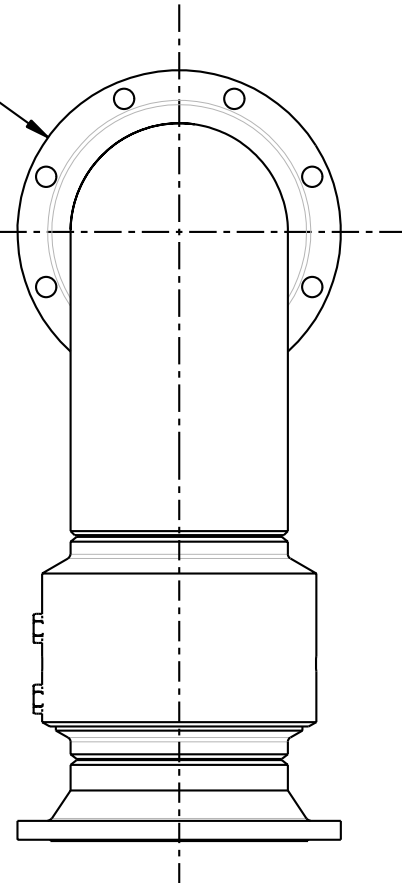
D

THIS DRAWING IS NOT TO BE SCALED. FOR ADDITIONAL INFORMATION, PLEASE CONTACT OUR ENGINEERING DEPT.

REVISIONS					
LTR	ECN #	DESCRIPTION	DRAWN	APPROVED	DATE
-	-	-	-	-	-



Ø 16 REF
10"-150# FLANGE
BOTH ENDS



CONFIDENTIAL THIS DOCUMENT CONTAINS INFORMATION WHICH IS PROPRIETARY TO OPW, AND SHOULD BE PROTECTED ACCORDINGLY.

DESCRIPTION: 10" SWIVEL, SST, BUNA, 150# FLGS, SBMR 'G

SIGNATURES		MO-DA-YR	REV:
DRAWN:	SCK	04/21/10	-
CHECKED:	-	-	-
MATERIAL:	SST	WEIGHT:	-

PART NUMBER:	3930FJ-1001
SCALE: 0.160	
SHEET 1 OF 1	

OPW Engineered Systems
A **DOVER** Resources Company
Lebanon, Ohio 45036 USA

3D GENERATED DRAWING

A

B

C

D