

A

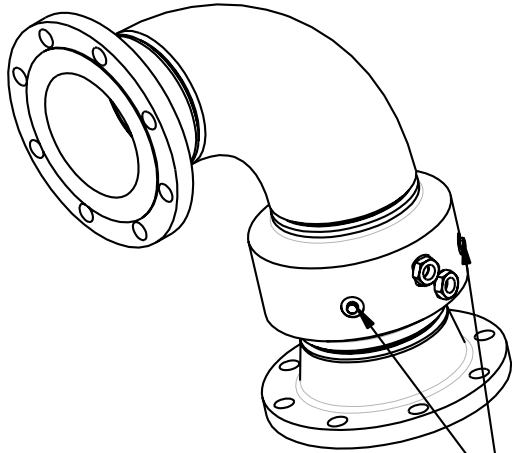
B

C

D

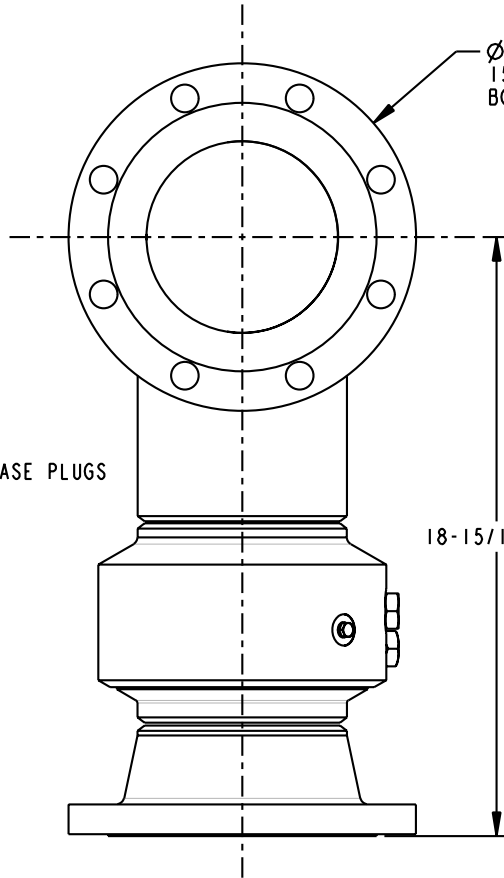
THIS DRAWING IS NOT TO BE SCALED. FOR ADDITIONAL INFORMATION. PLEASE CONTACT OUR ENGINEERING DEPT.

REVISIONS				DRAWN	APPROVED	DATE
LTR	ECN #	DESCRIPTION				
-	-	-	-	-	-	-

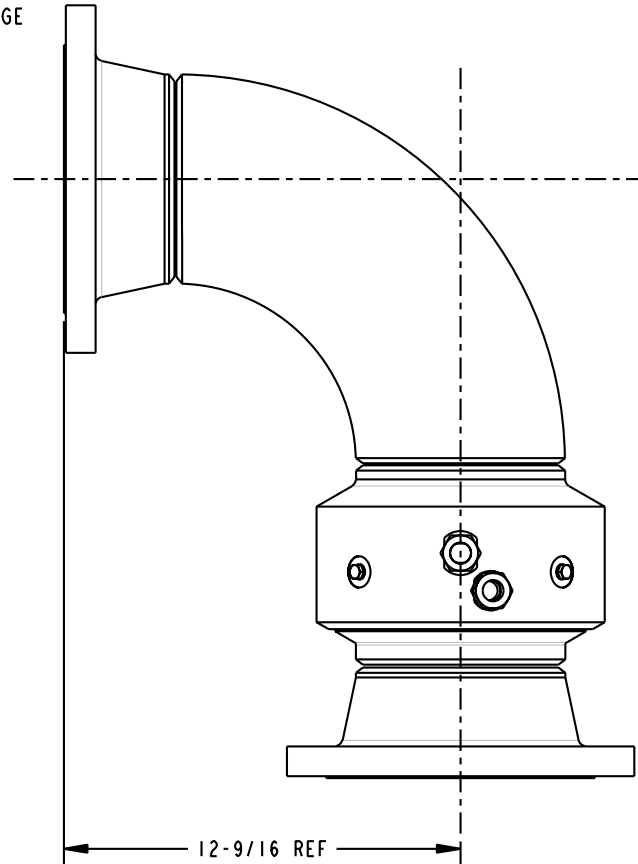


GREASE PLUGS

Ø 11 REF
150# FLANGE
BOTH ENDS



18-15/16 REF



12-9/16 REF

CONFIDENTIAL THIS DOCUMENT CONTAINS INFORMATION WHICH IS PROPRIETARY TO OPW, AND SHOULD BE PROTECTED ACCORDINGLY.

DESCRIPTION:
6" SWIVEL, SST, GFLT, 150# FLGS, SBMRG

SIGNATURES		MO-DA-YR	REV:
DRAWN:	SCK	01/26/10	-
CHECKED:	-	-	-
MATERIAL:	SST	WEIGHT:	-

PART NUMBER:	3930FJ-0602
SCALE: 0.250	
SHEET 1 OF 1	

OPW Engineered Systems
A **DOVER** Resources Company
Lebanon, Ohio 45036 USA

3D GENERATED DRAWING

A

B

C

D