

A

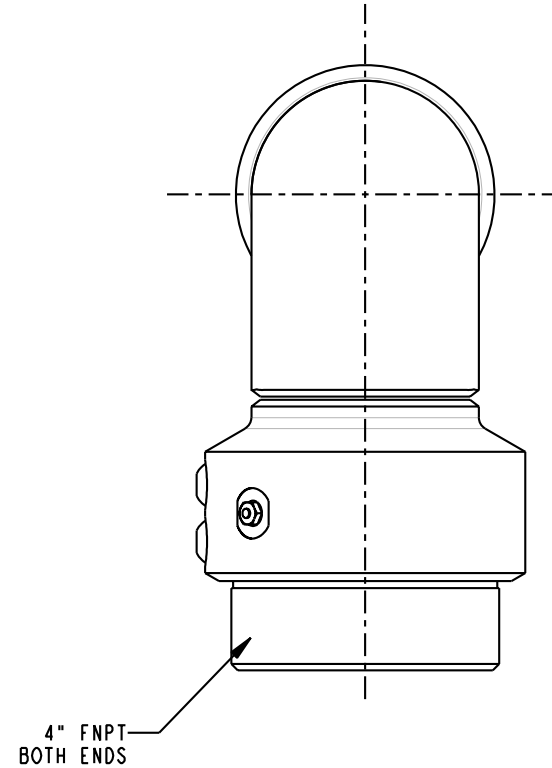
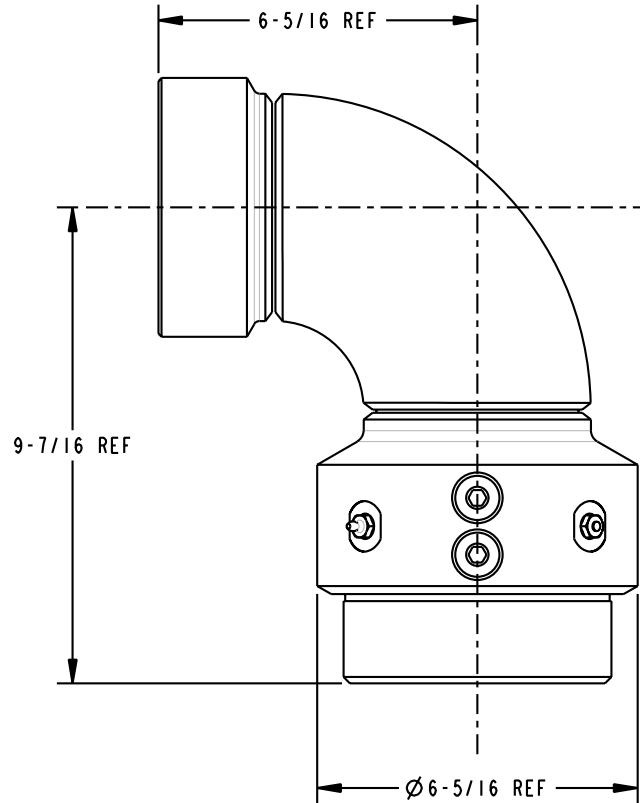
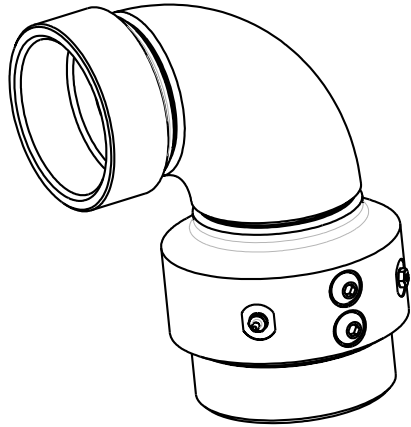
B

C

D

THIS DRAWING IS NOT TO BE SCALED. FOR ADDITIONAL INFORMATION. PLEASE CONTACT OUR ENGINEERING DEPT.

| REVISIONS |       |             |   | DRAWN | APPROVED | DATE |
|-----------|-------|-------------|---|-------|----------|------|
| LTR       | ECN # | DESCRIPTION |   |       |          |      |
| -         | -     | -           | - | -     | -        | -    |



**CONFIDENTIAL** THIS DOCUMENT CONTAINS INFORMATION WHICH IS PROPRIETARY TO OPW, AND SHOULD BE PROTECTED ACCORDINGLY.

DESCRIPTION: 4" SWIVEL, SST, STYLE 30

UNLESS OTHERWISE SPECIFIED  
 TOLERANCES ON DIMENSIONS  
 3 DECIMALS +/- 0.005  
 2 DECIMALS +/- 0.015  
 1 DECIMAL +/- 0.030  
 ANGLES +/- 1/2 DEG  
 MACHINED SURFACES 125 RMS MAX

|            |     |          |      |
|------------|-----|----------|------|
| SIGNATURES |     | MO-DA-YR | REV: |
| DRAWN:     | SCK | 04/15/10 | -    |
| CHECKED:   | -   | -        | -    |
| MATERIAL:  | SST | WEIGHT:  | -    |

|              |           |
|--------------|-----------|
| PART NUMBER: | 3930-04XX |
| SCALE:       | 0.400     |
| SHEET        | 1 OF 1    |

**OPW** Engineered Systems  
 A **DOVER** Resources Company  
 Lebanon, Ohio 45036 USA

3D GENERATED DRAWING

A

B

C

D