

A

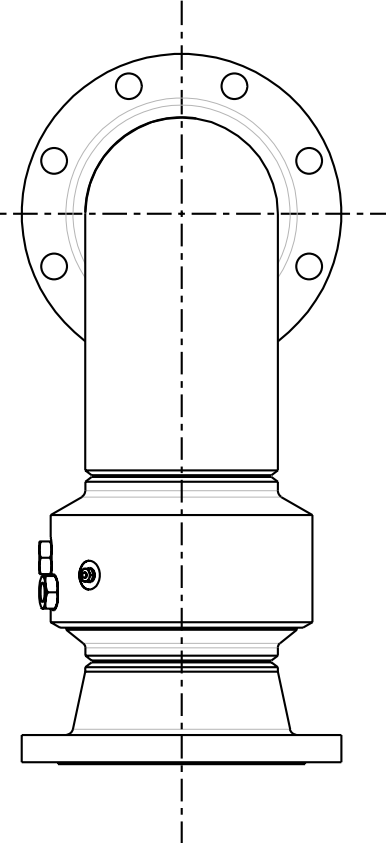
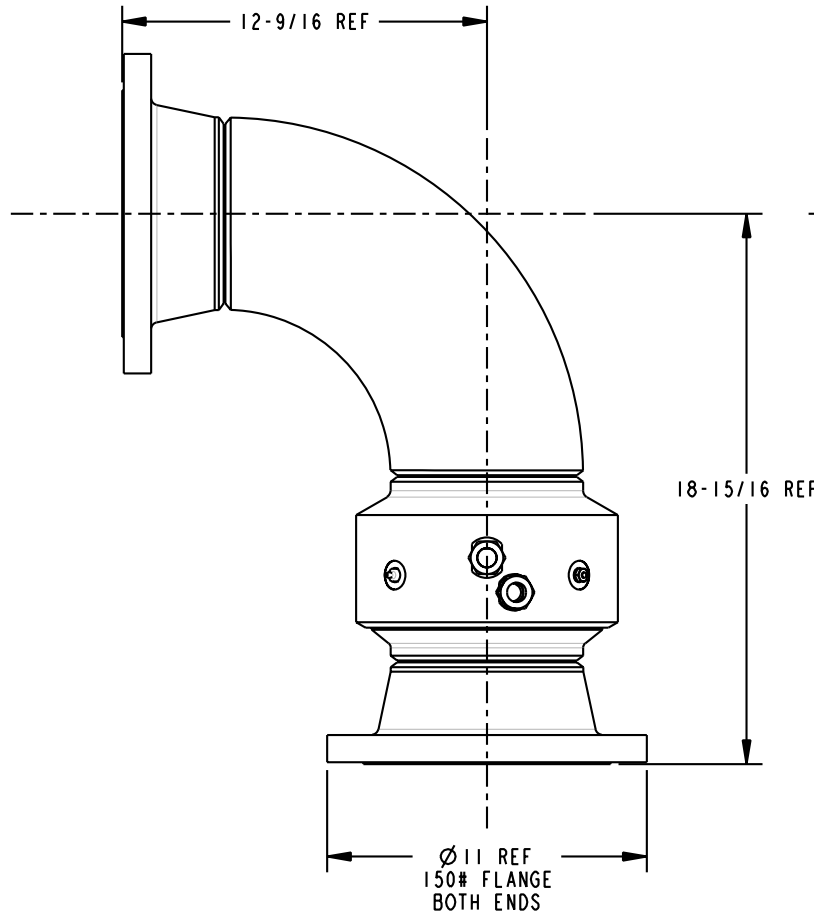
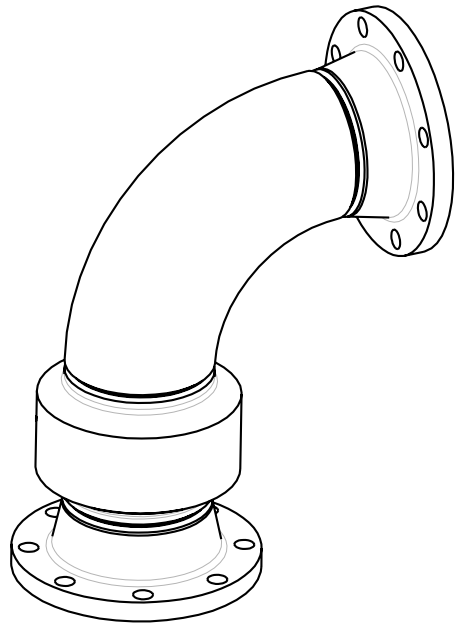
B

C

D

THIS DRAWING IS NOT TO BE SCALED. FOR ADDITIONAL INFORMATION, PLEASE CONTACT OUR ENGINEERING DEPT.

| REVISIONS | | | | DRAWN | APPROVED | DATE |
|-----------|-------|-------------|---|-------|----------|------|
| LTR | ECN # | DESCRIPTION | | | | |
| - | - | - | - | - | - | - |



CONFIDENTIAL THIS DOCUMENT CONTAINS INFORMATION WHICH IS PROPRIETARY TO OPW, AND SHOULD BE PROTECTED ACCORDINGLY.

DESCRIPTION:

6" SWIVEL, CST

| | | | |
|------------|-----|----------|------|
| SIGNATURES | | MO-DA-YR | REV: |
| DRAWN: | SCK | 10/02/08 | - |
| CHECKED: | - | - | - |
| MATERIAL: | CST | WEIGHT: | - |

| | |
|--------------|------------|
| SIZE: | C |
| PART NUMBER: | 3430F-06XX |
| SCALE: | 0.230 |
| SHEET | 1 OF 1 |

OPW Engineered Systems
 A **DOVER** Resources Company
 Lebanon, Ohio 45036 USA

3D GENERATED DRAWING

A

B

C

D