

A

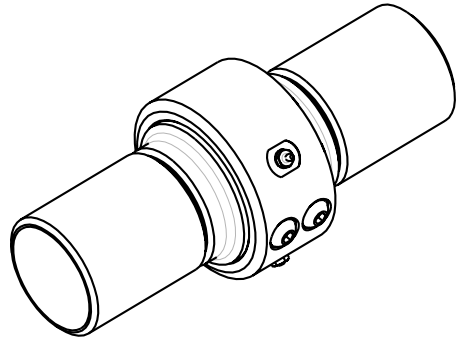
B

C

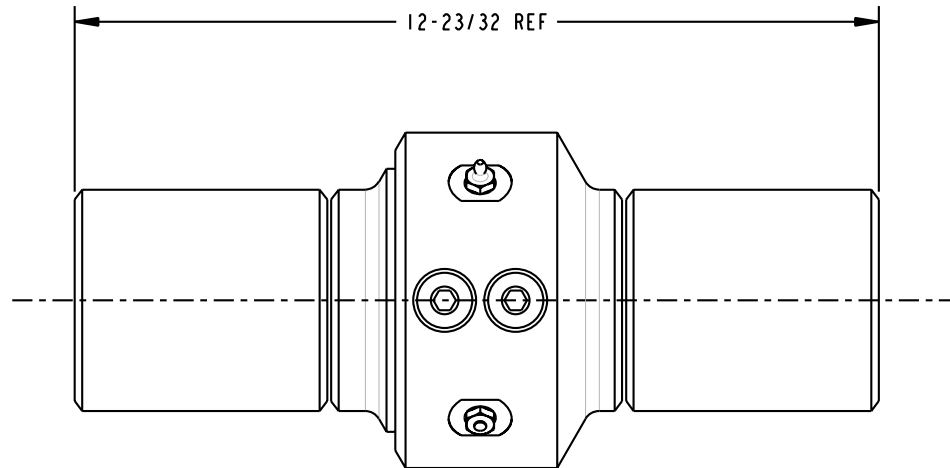
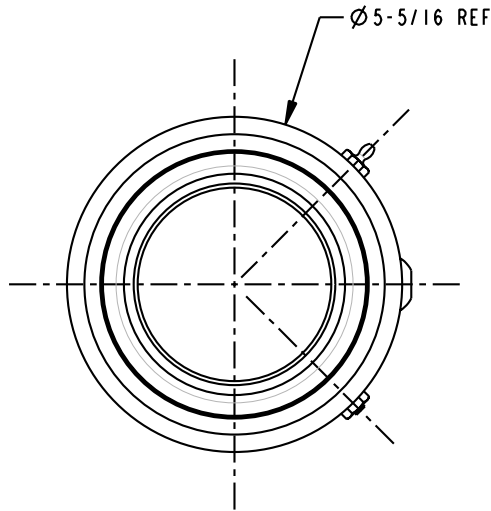
D

THIS DRAWING IS NOT TO BE SCALED. FOR ADDITIONAL INFORMATION. PLEASE CONTACT OUR ENGINEERING DEPT.

REVISIONS				DRAWN	APPROVED	DATE
LTR	ECN #	DESCRIPTION				
-	-	-	-	-	-	-



SCALE 0.300



CONFIDENTIAL THIS DOCUMENT CONTAINS INFORMATION WHICH IS PROPRIETARY TO OPW, AND SHOULD BE PROTECTED ACCORDINGLY.

DESCRIPTION: 3" SWIVEL, 20W, SST

UNLESS OTHERWISE SPECIFIED
 TOLERANCES ON DIMENSIONS
 3 DECIMALS +/- 0.005
 2 DECIMALS +/- 0.015
 1 DECIMAL +/- 0.030
 ANGLES +/- 1/2 DEG
 MACHINED SURFACES 125 RMS MAX

SIGNATURES		MO-DA-YR	REV:
DRAWN:	SCK	04/15/07	-
CHECKED:	-	-	-
MATERIAL:	-	WEIGHT:	-

PART NUMBER:	3920W-030X
SCALE: 0.500	
SHEET 1 OF 1	

OPW Engineered Systems
 A **DOVER** Resources Company
 Lebanon, Ohio 45036 USA

3D GENERATED DRAWING

A

B

C

D