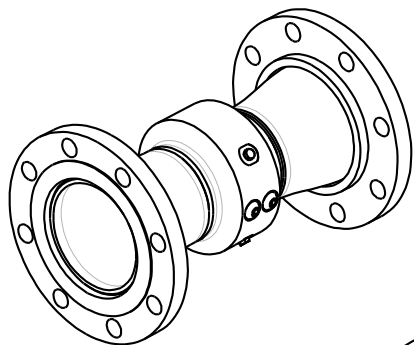
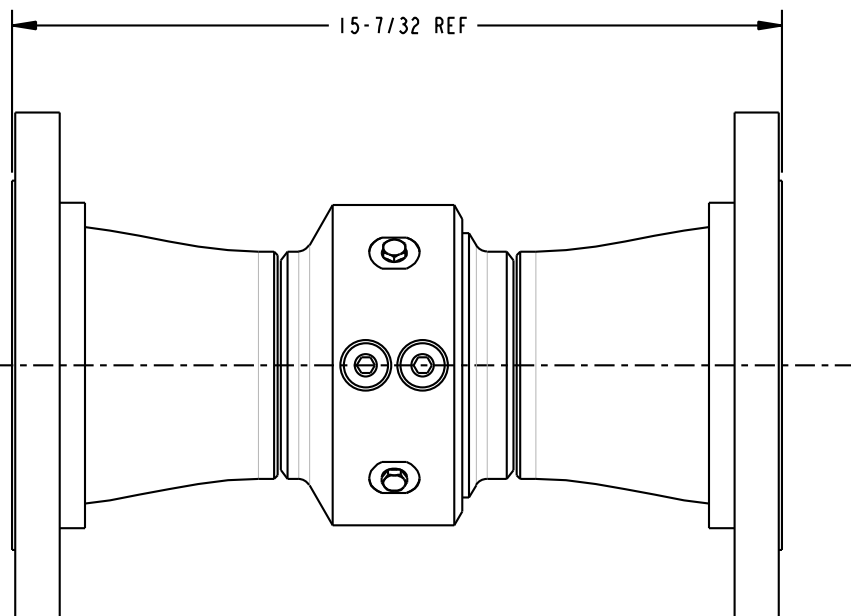
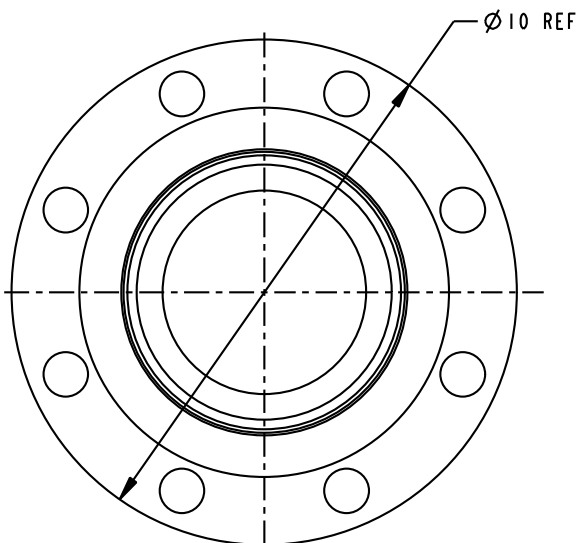


THIS DRAWING IS NOT TO BE SCALED. FOR ADDITIONAL INFORMATION. PLEASE CONTACT OUR ENGINEERING DEPT.

REVISIONS					
LTR	ECN #	DESCRIPTION	DRAWN	APPROVED	DATE
-	-	-	-	-	-



SCALE 0.180



150# FLANGE BOTH ENDS

**CONFIDENTIAL** THIS DOCUMENT CONTAINS INFORMATION WHICH IS PROPRIETARY TO OPW, AND SHOULD BE PROTECTED ACCORDINGLY.

DESCRIPTION: 4" SWIVEL, STYLE 20F, 5" X 4" X 5"

SIGNATURES		MO-DA-YR	REV:	PART NUMBER:		<b>Engineered Systems</b> A <b>DOVER</b> Resources Company Lebanon, Ohio 45036 USA
DRAWN: SCK		05/04/05	-	<b>03920F_B898</b>		
CHECKED: -		-	SIZE: C	SCALE: 0.400 SHEET 1 OF 1		
MATERIAL: 39.000		WEIGHT: 62 lbs		3D GENERATED DRAWING		