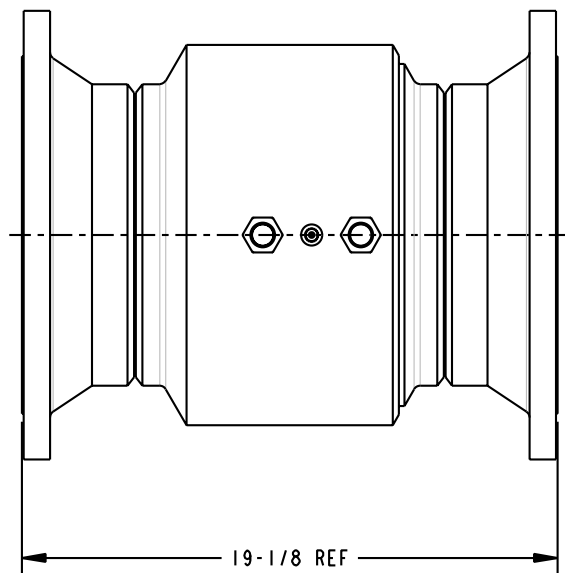
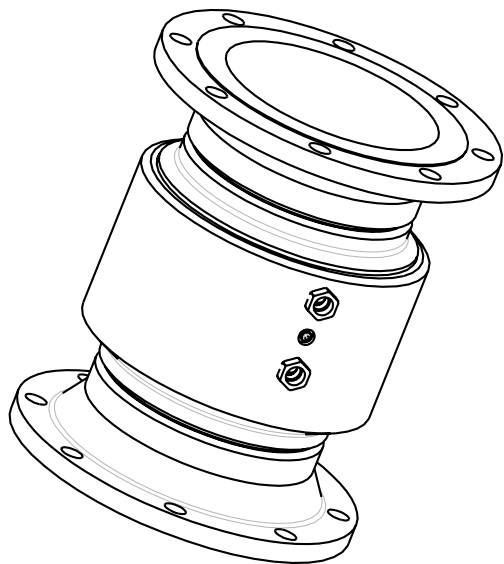
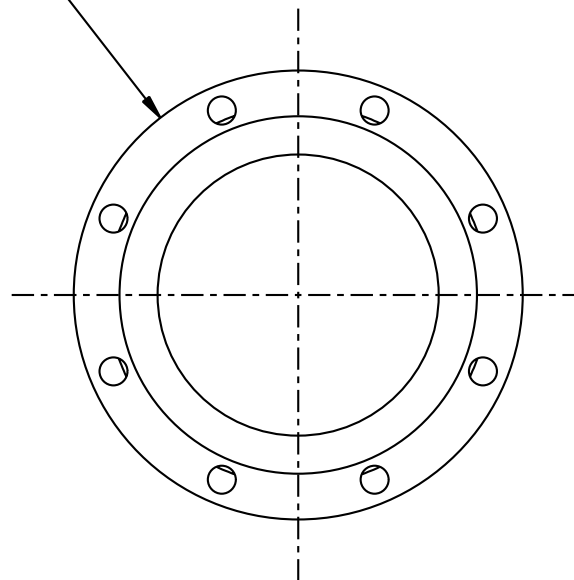


THIS DRAWING IS NOT TO BE SCALED. FOR ADDITIONAL INFORMATION, PLEASE CONTACT OUR ENGINEERING DEPT.

REVISIONS					
LTR	ECN #	DESCRIPTION	DRAWN	APPROVED	DATE
-	-	-	-	-	-



Ø 16 REF
150# FLANGE
BOTH ENDS



CONFIDENTIAL THIS DOCUMENT CONTAINS INFORMATION WHICH IS PROPRIETARY TO OPW, AND SHOULD BE PROTECTED ACCORDINGLY.

DESCRIPTION:
10" SWIVEL, SST, STYLE 20F, 150# FLGS

SIGNATURES		MO-DA-YR	REV:
DRAWN:	-	-	-
CHECKED:	-	-	SIZE:
MATERIAL:	SST	WEIGHT:	C

PART NUMBER:
3920F-10XX
SCALE: 0.222

OPW Engineered Systems
A **DOVER** Resources Company
Lebanon, Ohio 45036 USA

3D GENERATED DRAWING

A

B

C

D