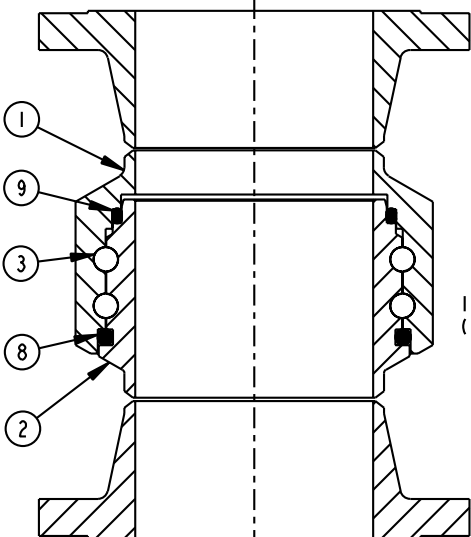
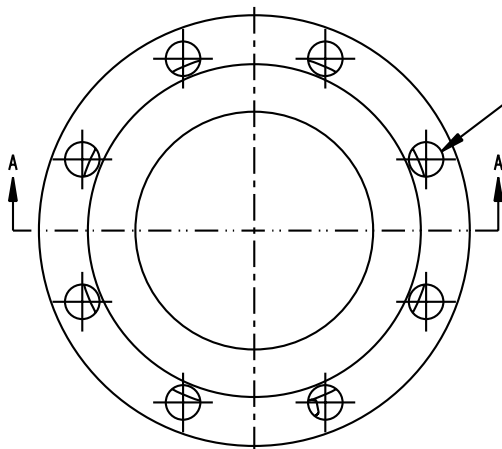


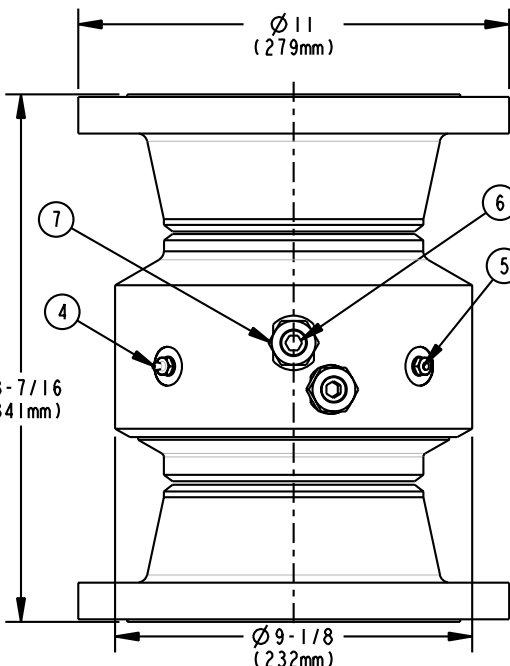
THIS DRAWING IS NOT TO BE SCALED. FOR ADDITIONAL INFORMATION, PLEASE CONTACT OUR ENGINEERING DEPT.

| REVISIONS | | | | DRAWN | APPROVED | DATE |
|-----------|-------|-------------|--|-------|----------|----------|
| LTR | ECN # | DESCRIPTION | | JPR | | 10-06-09 |
| REL | - | - | | | | |

(8) $\varnothing 3/4$ (19mm) HOLES
LOCATED ON A
 $\varnothing 9-1/2$ (241mm) B.C.



SECTION A-A



| ITEM | QTY. | PART NUMBER | DESCRIPTION | MATERIAL |
|------|------|-------------|----------------------------|-------------|
| 9 | 1 | H-30441-M | O-RING, MAIN SEAL | PTFE GARTER |
| 8 | 1 | H-06782-M | O-RING, ENVIRONMENTAL SEAL | FELT |
| 7 | 2 | H-03964-M | NUT, HEX, 3/4" | ZP CST |
| 6 | 2 | H-30510-M | SCREW, SET, 3/4" | ALLOY STEEL |
| 5 | 1 | H-30822-M | GREASE RELIEF | ZP CST |
| 4 | 1 | H-30823-M | GREASE FITTING | ZP CST |
| 3 | 76 | H-30036-M | BALL, SST, 5/8" | 440 SST |
| 2 | 1 | C-20003 | TAIL ASM, 3900, EF, 6" | 316 SST |
| 1 | 1 | C-20002 | BODY ASM, 3900, CF, 6" | 316 SST |

CONFIDENTIAL THIS DOCUMENT CONTAINS INFORMATION WHICH IS PROPRIETARY TO OPW, AND SHOULD BE PROTECTED ACCORDINGLY.

DESCRIPTION: 6" 3900 SWIVEL, SST, TEFLON

| | | | | |
|---------------|--------------------|---------|-----------------------------------|--|
| SIGNATURES | MO-DA-YR | REV. | PART NUMBER: 3920F-0603 | Engineered Systems A DOVER Resources Company Lebanon, Ohio 45036 USA |
| DRAWN: JPR | 10/06/09 | REL | | |
| CHECKED: | | SIZE: C | SCALE: 0.310 | SHEET 1 OF 1 |
| MATERIAL: SST | WEIGHT: 95# (43Kg) | | 3D GENERATED DRAWING | |