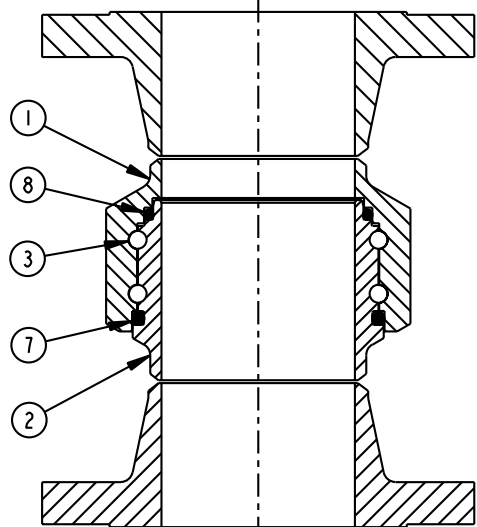
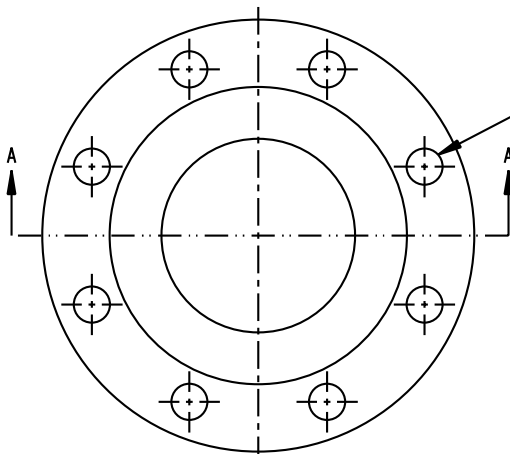


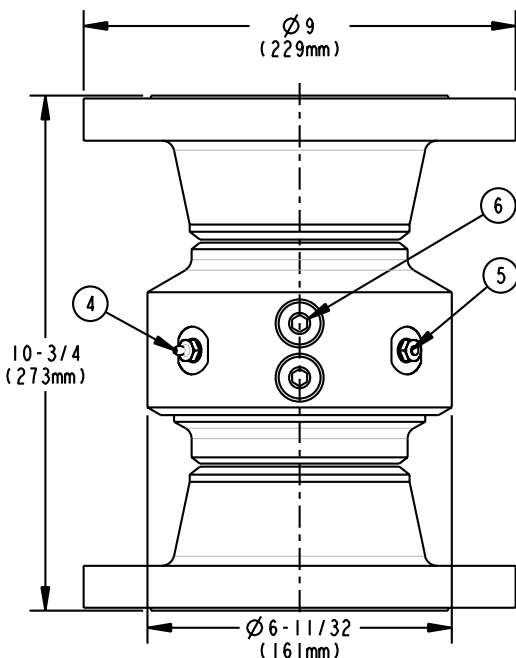
THIS DRAWING IS NOT TO BE SCALED. FOR ADDITIONAL INFORMATION, PLEASE CONTACT OUR ENGINEERING DEPT.

REVISIONS			
LTR	ECN #	DESCRIPTION	DATE
REL	-	-	10-06-09

(8) $\varnothing 5/8$ (16mm) HOLES
LOCATED ON A
 $\varnothing 7-1/2$ (190mm) B.C.



SECTION A-A



ITEM	QTY.	PART NUMBER	DESCRIPTION	MATERIAL
8	1	H-31625-M	O-RING, MAIN SEAL	PFA/SILICONE
7	1	H-31023-M	O-RING, ENVIRONMENTAL SEAL	BUNA
6	2	H-30979-M	BOLT, BH, SST	18-8 SST
5	1	H-30822-M	GREASE RELIEF	ZP CST
4	1	H-30823-M	GREASE FITTING	ZP CST
3	84	H-01171-M	BALL, SST, 3/8"	440 SST
2	1	C-02317	TAIL ASM, 3900, EF, 4"	316 SST
1	1	C-02269	BODY ASM, 3900, CF, 4"	316 SST

CONFIDENTIAL THIS DOCUMENT CONTAINS INFORMATION WHICH IS PROPRIETARY TO OPW, AND SHOULD BE PROTECTED ACCORDINGLY.

DESCRIPTION: 4" 3900 SWIVEL, SST, TEFLON

SIGNATURES		MO-DA-YR	REV.	PART NUMBER: 3920F-0403	Engineered Systems A DOVER Resources Company Lebanon, Ohio 45036 USA
DRAWN: JPR		10/06/09	REL		
CHECKED:			SIZE: C	SCALE: 0.380	SHEET 1 OF 1
MATERIAL: SST		WEIGHT: 49# (22.2Kg)		3D GENERATED DRAWING	