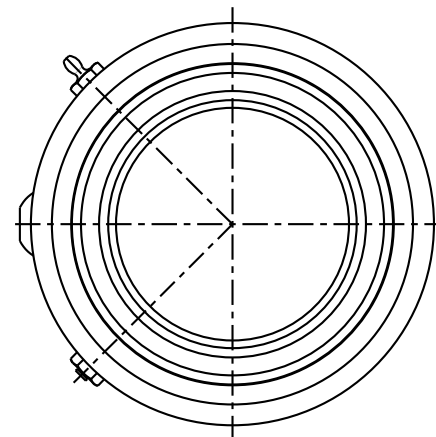
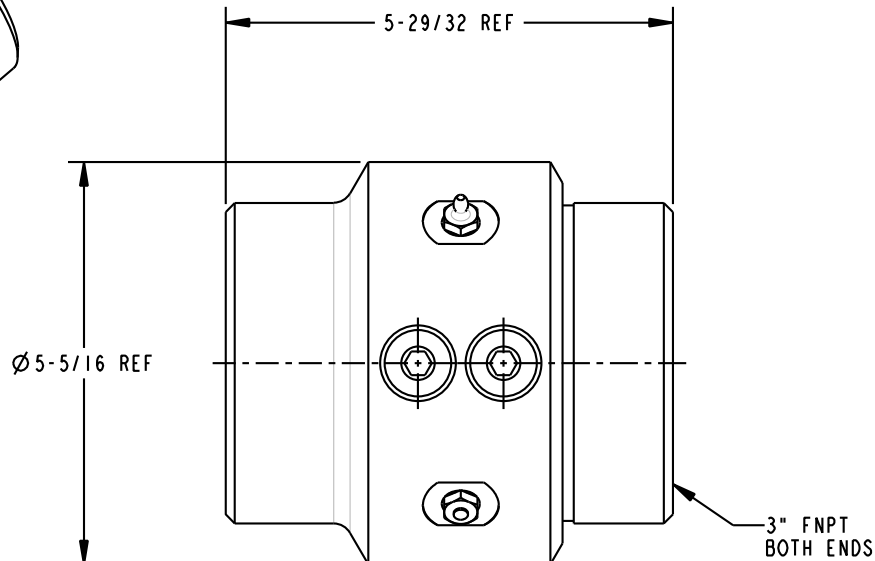
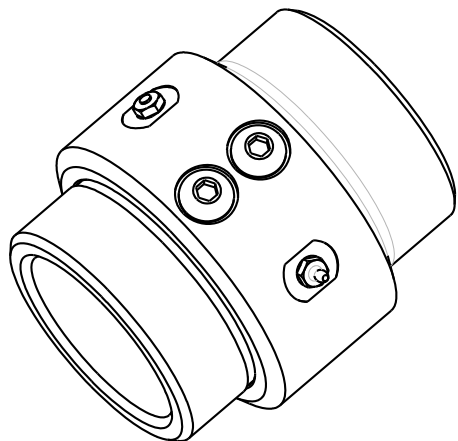


THIS DRAWING IS NOT TO BE SCALED. FOR ADDITIONAL INFORMATION, PLEASE CONTACT OUR ENGINEERING DEPT.

| REVISIONS |   |   |   | LTR | ECN # | DESCRIPTION | DRAWN | APPROVED | DATE |
|-----------|---|---|---|-----|-------|-------------|-------|----------|------|
| -         | - | - | - | -   | -     | -           | -     | -        | -    |



**CONFIDENTIAL** THIS DOCUMENT CONTAINS INFORMATION WHICH IS PROPRIETARY TO OPW, AND SHOULD BE PROTECTED ACCORDINGLY.

DESCRIPTION: 3" SWIVEL, SST, STYLE 20

UNLESS OTHERWISE SPECIFIED  
 TOLERANCES ON DIMENSIONS  
 3 DECIMALS +/- 0.005  
 2 DECIMALS +/- 0.015  
 1 DECIMAL +/- 0.030  
 ANGLES +/- 1/2 DEG  
 MACHINED SURFACES 125 RMS MAX

|            |     |          |      |
|------------|-----|----------|------|
| SIGNATURES |     | MO-DA-YR | REV: |
| DRAWN:     | SCK | 01/17/07 | -    |
| CHECKED:   | -   | -        | -    |
| MATERIAL:  | SST | WEIGHT:  | -    |

|              |           |
|--------------|-----------|
| PART NUMBER: | 3920-03XX |
| SCALE:       | 0.600     |
| SHEET        | 1 OF 1    |

**OPW Engineered Systems**  
 A **DOVER** Resources Company  
 Lebanon, Ohio 45036 USA

3D GENERATED DRAWING