

A

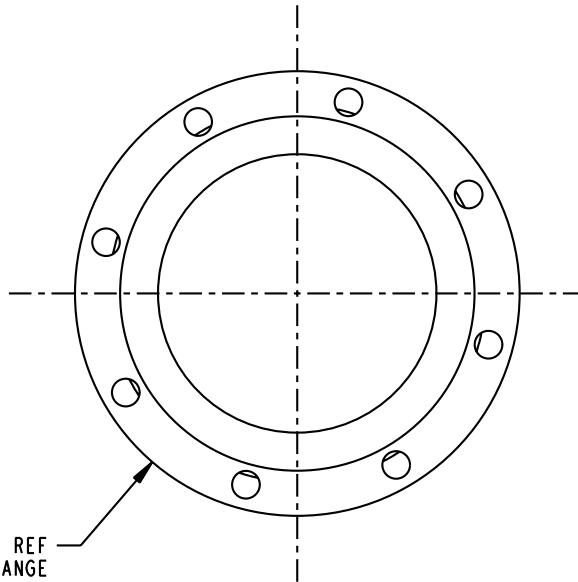
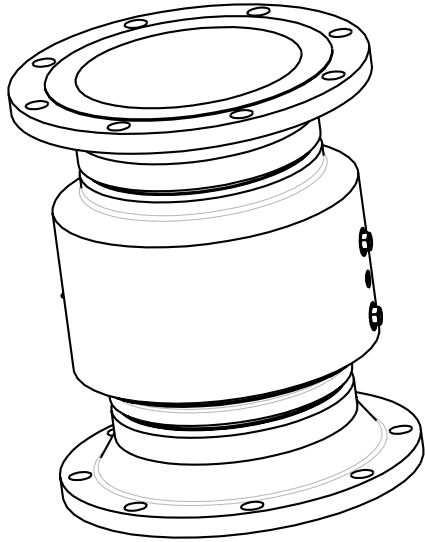
B

C

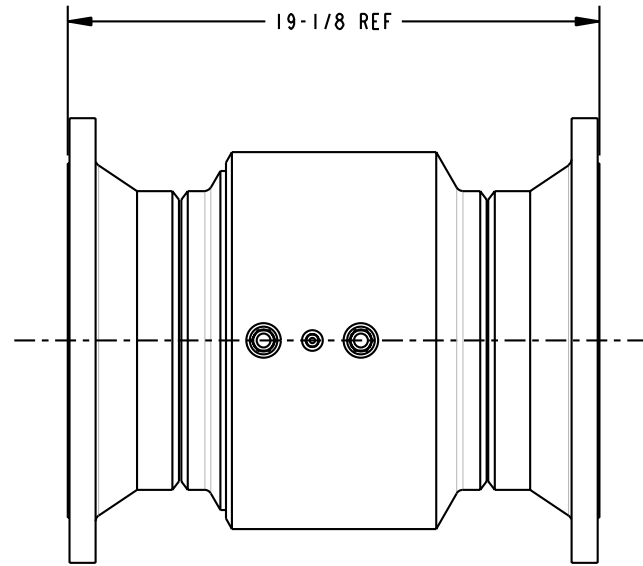
D

THIS DRAWING IS NOT TO BE SCALED. FOR ADDITIONAL INFORMATION. PLEASE CONTACT OUR ENGINEERING DEPT.

REVISIONS				DRAWN	APPROVED	DATE
LTR	ECN #	DESCRIPTION				
-	-	-	-	-	-	-



Ø 16 REF
150# FLANGE
BOTH ENDS



CONFIDENTIAL THIS DOCUMENT CONTAINS INFORMATION WHICH IS PROPRIETARY TO OPW, AND SHOULD BE PROTECTED ACCORDINGLY.

DESCRIPTION: 10" SWIVEL, CST

UNLESS OTHERWISE SPECIFIED
TOLERANCES ON DIMENSIONS
3 DECIMALS +/- 0.005
2 DECIMALS +/- 0.015
1 DECIMAL +/- 0.030
ANGLES +/- 1/2 DEG
MACHINED SURFACES 125 RMS MAX

SIGNATURES		MO-DA-YR	REV:
DRAWN: SCK		10/26/09	-
CHECKED:			
MATERIAL: CST	WEIGHT:		

PART NUMBER:	
3420F-10XX	
SCALE: 0.220	SHEET 1 OF 1

OPW Engineered Systems
A **DOVER** Resources Company
Lebanon, Ohio 45036 USA

3D GENERATED DRAWING

A

B

C

D