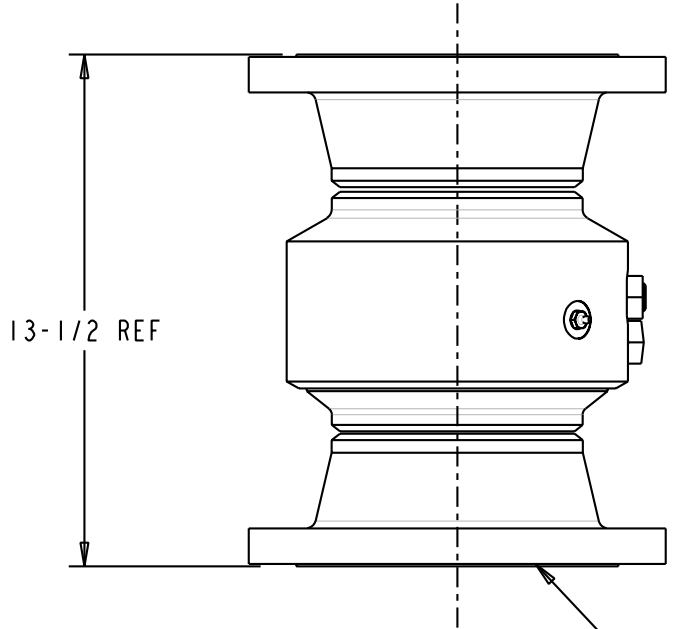


THIS DRAWING IS NOT TO BE SCALED. FOR ADDITIONAL INFORMATION, PLEASE CONTACT OUR ENGINEERING DEPT.

REVISIONS				DRAWN	APPROVED	DATE
LTR	ECN #	DESCRIPTION				
-	-	-	-	-	-	-



Ø 11 REF
6" - 150# FLANGE
BOTH ENDS

CONFIDENTIAL THIS DOCUMENT CONTAINS INFORMATION WHICH IS PROPRIETARY TO OPW, AND SHOULD BE PROTECTED ACCORDINGLY.			DESCRIPTION: 6" SWIVEL, CST, 150 FLG		
UNLESS OTHERWISE SPECIFIED TOLERANCES ON DIMENSIONS 3 DECIMALS +/- 0.005 2 DECIMALS +/- 0.015 1 DECIMAL +/- 0.030 ANGLES +/- 1/2 DEG MACHINED SURFACES 125 RMS MAX	SIGNATURES		MO-DA-YR	REV:	PART NUMBER: 3420F-06XX
	DRAWN: SCK		01/15/07	-	
	CHECKED:		-	SIZE:	C SCALE: 0.300 SHEET 1 OF 1 3D GENERATED DRAWING
	MATERIAL: CST		WEIGHT:	-	

 **OPW Engineered Systems**
 A **DOVER** Resources Company
 Lebanon, Ohio 45036 USA