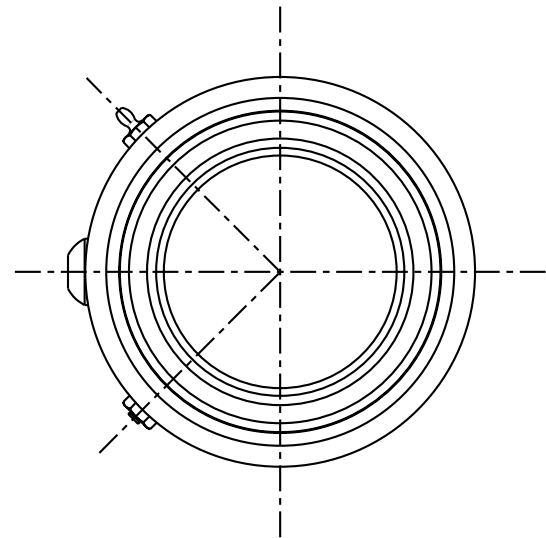
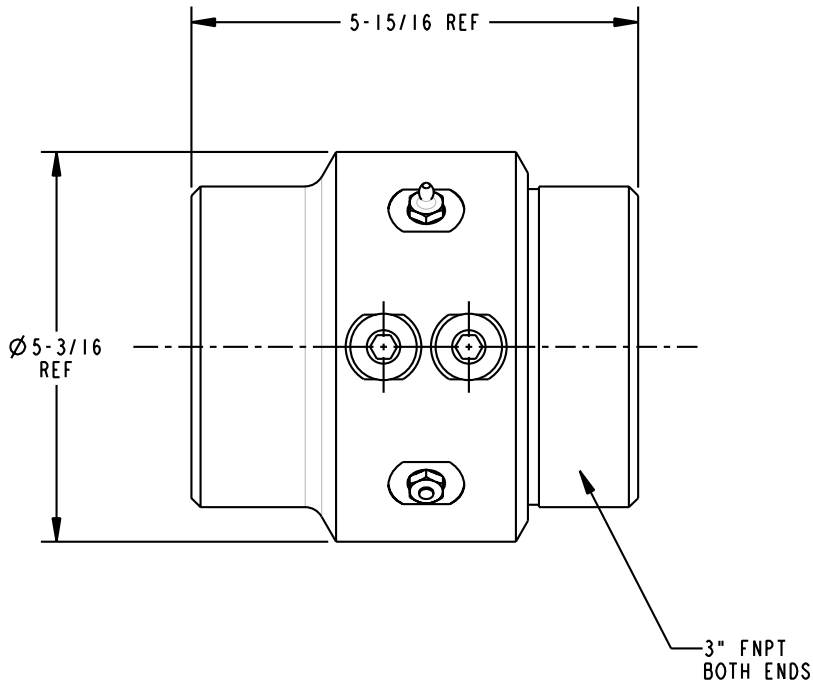
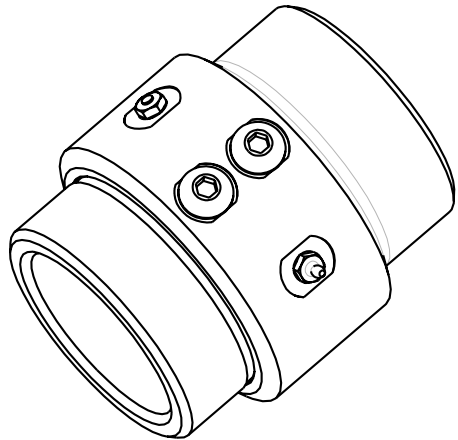


THIS DRAWING IS NOT TO BE SCALED. FOR ADDITIONAL INFORMATION, PLEASE CONTACT OUR ENGINEERING DEPT.

REVISIONS				DRAWN	APPROVED	DATE
LTR	ECN #	DESCRIPTION				
-	-	-	-	-	-	-



CONFIDENTIAL THIS DOCUMENT CONTAINS INFORMATION WHICH IS PROPRIETARY TO OPW, AND SHOULD BE PROTECTED ACCORDINGLY.

DESCRIPTION: 3" SWIVEL, CST, STYLE 20

UNLESS OTHERWISE SPECIFIED
 TOLERANCES ON DIMENSIONS
 3 DECIMALS +/- 0.005
 2 DECIMALS +/- 0.015
 1 DECIMAL +/- 0.030
 ANGLES +/- 1/2 DEG
 MACHINED SURFACES 125 RMS MAX

SIGNATURES		MO-DA-YR	REV:
DRAWN:	SCK	01/17/07	-
CHECKED:	-	-	-
MATERIAL:	CST	WEIGHT:	-

PART NUMBER:	3420-03XX
SCALE:	0.600
SHEET	1 OF 1

OPW Engineered Systems
 A **DOVER** Resources Company
 Lebanon, Ohio 45036 USA

3D GENERATED DRAWING