

A

B

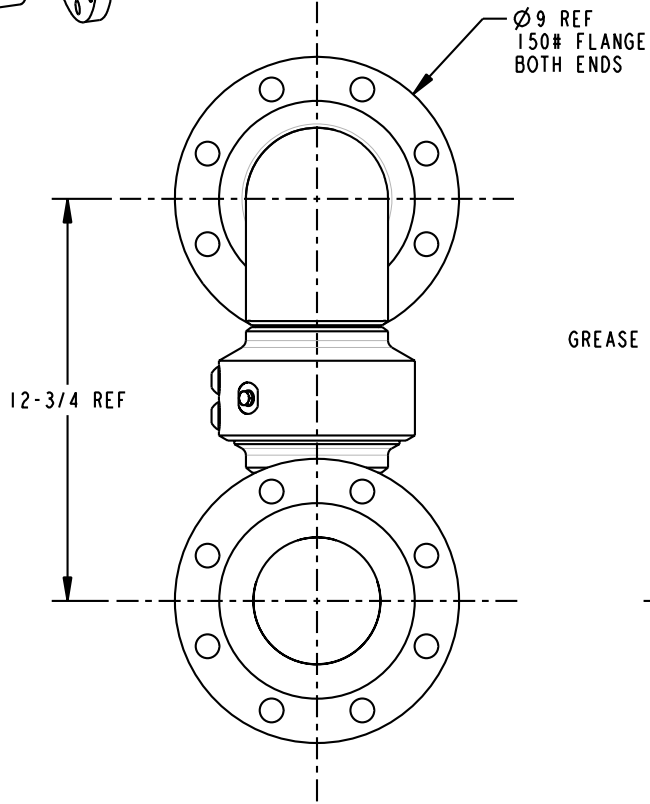
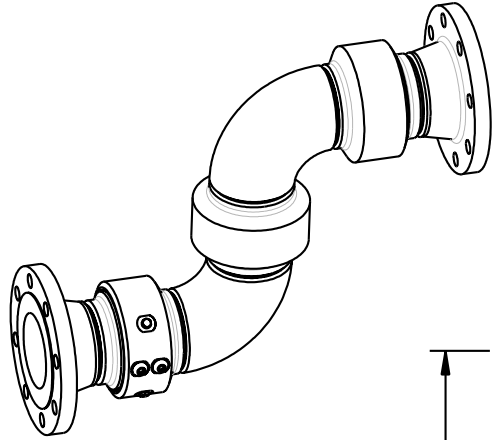
C

D

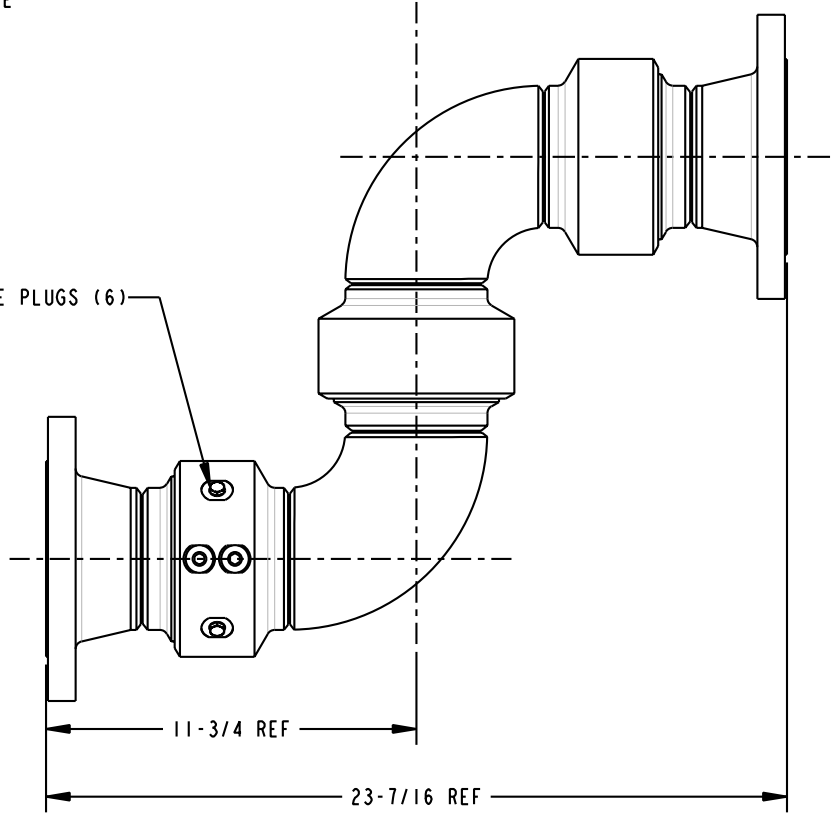
THIS DRAWING IS NOT TO BE SCALED. FOR ADDITIONAL INFORMATION, PLEASE CONTACT OUR ENGINEERING DEPT.

REVISIONS

LTR	ECN #	DESCRIPTION	DRAWN	APPROVED	DATE
-	-	-	-	-	-



GREASE PLUGS (6)




NOTE: BUILT WITH SST BALL BEARINGS

CONFIDENTIAL THIS DOCUMENT CONTAINS INFORMATION WHICH IS PROPRIETARY TO OPW, AND SHOULD BE PROTECTED ACCORDINGLY.

DESCRIPTION: 4" SWIVEL, CST, SBMR 'G SERVICE

SIGNATURES		MO-DA-YR	REV:
DRAWN: SCK		05/18/10	-
CHECKED:		-	SIZE: C
MATERIAL: CST	WEIGHT:		-

PART NUMBER:
<b>3410FJ-04XX</b>
SCALE: 0.250
SHEET 1 OF 1

 **Engineered Systems**  
 A  Resources Company  
 Lebanon, Ohio 45036 USA  
 3D GENERATED DRAWING

A

B

C

D