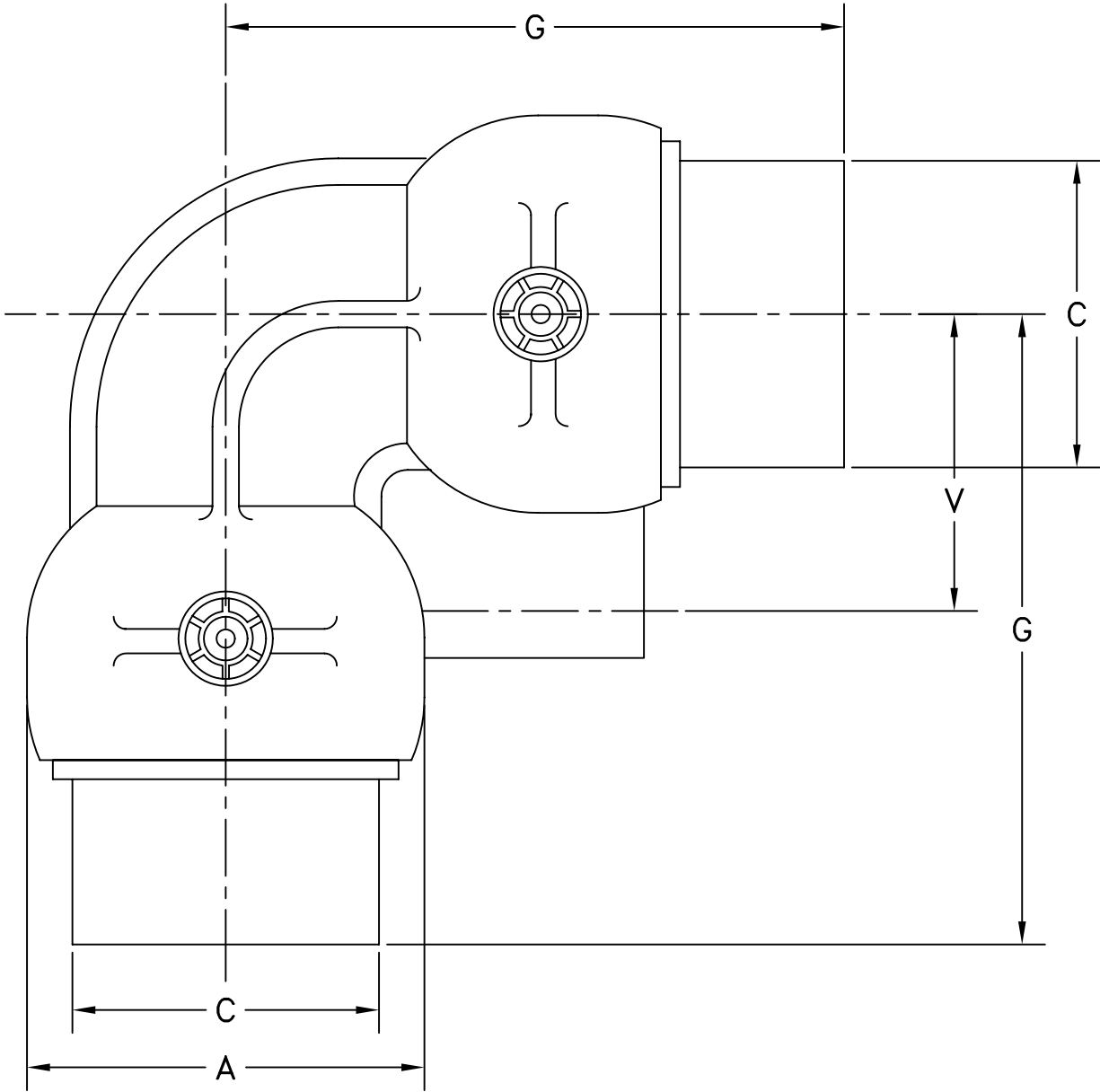


MATERIAL:  
 BRONZE (1-1/2" 2")  
 DUCTILE IRON (2")

OPW Engineered Systems

STYLE 60T SWIVEL JOINT-CAST



SIZE	1-1/2"	2"
A	2-15/16"	3-3/4"
C	2-3/8"	2-15/16"
G	4-11/16"	5-5/8"
V	1-7/8"	2-1/4"